

Copeland™ Reciprocating CR compressor series



Copeland™



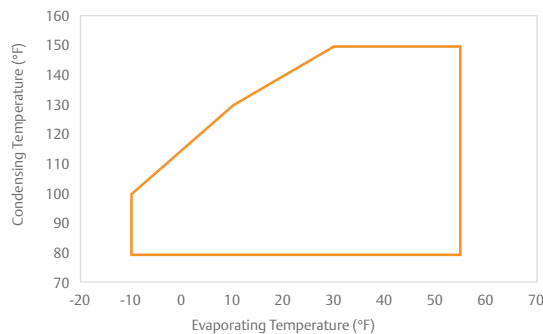
Introduction

For years, customers in the Middle East and Africa region have benefited from the reliability and quiet operation of Copeland™ CR reciprocating series compressors. With the addition of the new high efficiency CRK8 series, Emerson Climate Technologies has once again demonstrated its commitment to serve the growing regional efficiency standards requirements.

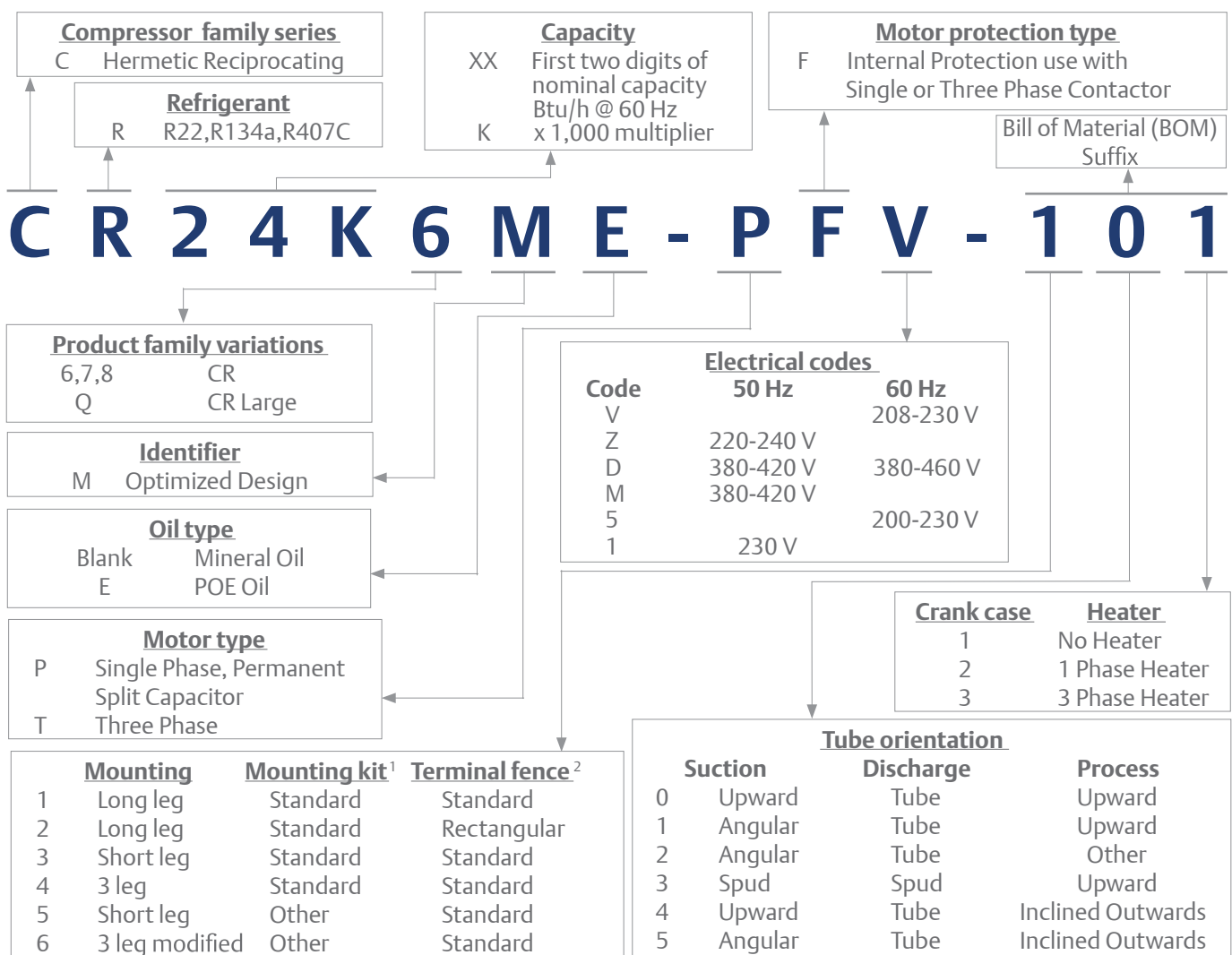
The breadth of our hermetic line of compressors, from CR6 to CRKQ, offers system designers the right match for their design requirements. You can always rely on the availability of Copeland hermetic compressors, regardless of quantity or time of year - because Emerson knows that speed and consistency are critical to the success of any product rollout. And with authorized wholesaler distribution locations throughout the region, Emerson ensures that products are always available to meet every customer need.

Features

- Rugged reciprocating technology
- Superior efficiency
- Best suited for 55°C high ambient conditions
- Strong liquid handling capability
- Industry leading reliability
- Multiple foot mounting configuration
- UL and IECEE certified



Nomenclature



¹ Mounting kit nomenclature

Standard Standard mounting kit & fence design
Other Indicated non standard requirements - suffixed by two digits

² Terminal fence nomenclature

Standard Half round for CR20-CR34, CR37
Square for CR36/42 PFV / PFZ / TFM
Square for CR47 PFV / PFZ

Model specifications

R22

Series	Frequency (Hz)	Compressor model	Voltage rating (V-Phase-Hz)	Cooling capacity (Btu/hr)	Input power (Watts)	EER	Input current (A)	LRA (A)	Displacement (cc/Rev.)	Weight (kg)	Motor circuit	Start capacitor Mfd	Start capacitor VAC	Run capacitor Mfd	Run capacitor VAC	BOM suffix
CRK8M	50	CR23K8M-PF1	230-1-50	19500	1772	11.00	8.5	64	42.60	31.5	PSC/CSCR	150 - 200	230	40	370	111,401
		CR30K8M-PF1	230-1-50	25000	2315	10.80	11.0	80	51.47	31.5	PSC/CSCR	150 - 200	230	45	440	111,401
	60	CR18K8M-PFV	208-230-1-60	17800	1595	11.15	7.5	61	34.11	31.5	PSC/CSCR	150 - 200	230	40	370	401
		CR19K8M-PFV	208-230-1-60	18800	1685	11.15	7.7	61	35.81	31.5	PSC/CSCR	150 - 200	230	40	370	401
		CR28K8M-PFV	208-230-1-60	27800	2530	11.00	11.6	80	49.65	31.5	PSC/CSCR	150 - 200	230	45	370	401

*Values as per ASHRAE/T rating conditions: Evaporating temperature 7.2°C (45°F), condensing temperature 54.4°C (130°F), ambient temperature 35°C (95°F), liquid temperature 46°C (115°F), return gas temperature 35°C (95°F)

R22

Series	Frequency (Hz)	Compressor model	Voltage rating (V-Phase-Hz)	Cooling capacity (Btu/hr)	Input power (Watts)	EER	Input current (A)	LRA (A)	Displacement (cc/Rev.)	Weight (kg)	Motor circuit	Start capacitor Mfd	Start capacitor VAC	Run capacitor Mfd	Run capacitor VAC	BOM suffix
CRK6M	50	CR22K6M-PF1	230-1-50	18500	1750	10.57	8.4	54	40.80	29.8	PSC/CSCR	80 - 100	230	36	440	101,111,141
		CR22K6M-TFM	380-420-3-50	17800	1750	10.17	3.2	20	40.80	29.5	3 Phase	N/A	N/A	N/A	N/A	101,111
		CR24K6M-PFZ	220-240-1-50	19800	1950	10.15	9.5	61	44.28	29.8	PSC/CSCR	150 - 200	230	36	370	101,102,301,401, 141,341,441,651
		CR24K6M-TFD	380-420-3-50	19900	1975	10.08	3.6	28	44.28	29.5	3 Phase	N/A	N/A	N/A	N/A	101,102,103
		CR30K6M-PF1	230-1-50	24250	2350	10.32	11.0	72	51.47	32.5	PSC/CSCR	150 - 200	230	45	440	101,102,111, 301, 401,141,341,441,651
		CR30K6M-TFM	380-420-3-50	23700	2275	10.41	4.2	28	51.47	30.0	3 Phase	N/A	N/A	N/A	N/A	101,102,111
		CR32K6M-PFZ	220-240-1-50	27200	2720	10.00	13.4	85	57.70	32.5	CSCR	150 - 200	230	45	370	101,102,301,141,341
		CR34K6M-PFZ	220-240-1-50	28700	2850	10.07	14.0	100	59.66	32.5	CSCR	150 - 200	275	45	440	101,102
		CR34K6M-TFD	380-420-3-50	28300	2830	10.00	5.3	41	59.66	31.0	3 Phase	N/A	N/A	N/A	N/A	101,102,103
		CR36K6M-PFZ	220-240-1-50	29300	2720	10.77	13.6	85	59.66	34.9	CSCR	130 - 156 43 - 52	250 330	40/45	370	101,102,121
		CR36K6M-TFM	380-420-3-50	29100	2680	10.86	4.9	41	59.66	31.0	3 Phase	N/A	N/A	N/A	N/A	101,102,103,121
		CR37K6M-TFD	380-420-3-50	31200	3000	10.40	5.6	45	63.52	32.0	3 Phase	N/A	N/A	N/A	N/A	101,102,103
		CR37K6M-PFZ	220-240-1-50	30600	3060	10.00	16.0	90	63.52	34.9	CSCR	150 - 200	275	50	440	101,102
		CR42K6M-TFM	380-420-3-50	34200	3300	10.36	6.1	45	72.09	32.7	3 Phase	N/A	N/A	N/A	N/A	101,102,103
	CR42K6M-PFZ	220-240-1-50	35200	3240	10.85	15.4	104	72.09	34.9	CSCR	64 - 77 189 - 227	330 330	60/65	370	101,102	
	60	CR20K6M-PFV	208-230-1-60	20000	2001	10.00	9.0	60	39.35	29.8	PSC/CSCR	150 - 200	230	36	370	101,102,301,401 341,441,651
		CR24K6M-PFV	208-230-1-60	23900	2350	10.17	10.3	60	44.28	29.8	PSC/CSCR	150 - 200	230	36	370	101,102,301, 401,141*
		CR24K6M-TFD	380-460-3-60	23900	2300	10.40	3.5	28	44.28	29.5	3 Phase	N/A	N/A	N/A	N/A	101,102,103
		CR24K6M-TF5	200-230-3-60	23300	2300	10.13	6.8	55	44.28	29.5	3 Phase	N/A	N/A	N/A	N/A	101,102
		CR27K6M-PFV	208-230-1-60	27100	2660	10.20	12.0	77	49.62	32.5	PSC/CSCR	150-200	230	45	370	141,341,441,651
		CR28K6M-PFV	208-230-1-60	28500	2650	10.75	12.0	80	49.62	32.5	PSC/CSCR	150 - 200	230	45	370	101,102,301,401
		CR32K6M-PFV	208-230-1-60	32200	3280	9.82	15.4	88	57.70	29.8	CSCR	150 - 200	230	45	440	101,102,301,141,341
		CR34K6M-PFV	208-230-1-60	34300	3385	10.13	15.8	88	59.66	32.5	CSCR	150 - 200	230	45	440	101,102
		CR34K6M-TFD	380-460-3-60	33800	3300	10.24	5.1	45	59.66	31.0	3 Phase	N/A	N/A	N/A	N/A	101,102,103
		CR34K6M-TF5	200-230-3-60	33900	3300	10.27	10.0	77	59.66	31.0	3 Phase	N/A	N/A	N/A	N/A	101,102
		CR37K6M-PFV	208-230-1-60	36800	3680	10.00	16.8	86	63.52	34.9	CSCR	189 - 227	330	50	440	101,102
		CR37K6M-TFD	380-460-3-60	37200	3580	10.40	5.6	45	63.52	32.0	3 Phase	N/A	N/A	N/A	N/A	101,102,103
		CR37K6M-TF5	200-230-3-60	36500	3500	10.43	11.0	100	63.52	32.7	3 Phase	N/A	N/A	N/A	N/A	101,102
CR42K6M-TF5		200-230-3-60	41500	3850	10.77	11.8	100	72.09	32.7	3 Phase	N/A	N/A	N/A	N/A	101,102	
CR42K6M-PFV	208-230-1-60	41900	3875	10.80	17.9	102	72.09	34.0	CSCR	189 - 227	330	40/45	440	101,102		
CRKQM	50	CR47KQM-PFZ	220-240-1-50	40700	3950	10.30	20.0	110	82.74	36.0	CSCR	189 - 227	330	60	440	101,102
		CR47KQM-TFD	380-420-3-50	39700	3825	10.38	6.9	66	78.78	36.2	3 Phase	N/A	N/A	N/A	N/A	201,202,203,233
		CR53KQM-TFD	380-420-3-50	44700	4350	10.27	7.7	61	88.28	36.2	3 Phase	N/A	N/A	N/A	N/A	201,202,203,233
		CR57KQM-TFD	380-420-3-50	47800	4650	10.27	8.3	61	94.61	36.2	3 Phase	N/A	N/A	N/A	N/A	201,202,203,233
		CR62KQM-TFD	380-420-3-50	51500	5100	10.10	8.8	65	101.92	36.2	3 Phase	N/A	N/A	N/A	N/A	201,202,203,233
		CR72KQM-TFM	380-420-3-50	60000	6100	9.83	10.5	69	115.79	37.5	3 Phase	N/A	N/A	N/A	N/A	201,202,203,233
	60	CR47KQM-PFV	208-230-1-60	47500	4650	10.22	22.0	115	82.74	36.0	CSCR	189 - 227	330	60	440	101,102
		CR47KQM-TFD	380-460-3-60	47200	4550	10.37	6.8	54	78.78	36.2	3 Phase	N/A	N/A	N/A	N/A	201,202,203,233
		CR47KQM-TF5	200-230-3-60	45700	4420	10.34	13.5	125	78.78	36.8	3 Phase	N/A	N/A	N/A	N/A	201,202
		CR53KQM-PFV	208-230-1-60	52300	5320	9.83	25.5	155	88.28	36.3	CSCR	189 - 227	330	60	370	201,202,203,233
		CR53KQM-TF5	200-230-3-60	52500	5050	10.40	15.5	135	88.28	36.8	3 Phase	N/A	N/A	N/A	N/A	201,202
		CR53KQM-TFD	380-460-3-60	53000	5200	10.20	7.5	60	88.28	36.2	3 Phase	N/A	N/A	N/A	N/A	201,202,203,233
		CR57KQM-PFV	208-230-1-60	56400	5740	9.83	27.5	155	94.61	36.3	CSCR	189 - 227	330	60	370	201,202
		CR57KQM-TF5	200-230-3-60	56500	5540	10.20	16.2	135	94.61	36.8	3 Phase	N/A	N/A	N/A	N/A	201,202
CR57KQM-TFD	380-460-3-60	57000	5550	10.27	8.1	60	94.61	36.2	3 Phase	N/A	N/A	N/A	N/A	201,202,203,233		
CR62KQM-PFV	208-230-1-60	60600	6200	9.77	28.5	155	101.92	40.3	CSCR	189 - 227	330	60	370	201		
CR62KQM-TF5	200-230-3-60	61300	6100	10.05	17.5	125	101.92	37.0	3 Phase	N/A	N/A	N/A	N/A	201		
CR62KQM-TFD	380-460-3-60	61300	6075	10.10	8.7	52	101.92	36.2	3 Phase	N/A	N/A	N/A	N/A	201,202,203,233		

*Values as per ARI rating conditions: Evaporating temperature 7.2°C (45°F), condensing temperature 54.4°C (130°F), ambient temperature 35°C (95°F), liquid temperature 46°C (115°F), return gas temperature 18.3°C (65°F)

*Note: BOM 141, 301, 341, 441, 621, 651 are replacement for CK models, please refer to marketing bulletin no. 2015010023

Model specifications

R22

Series	Frequency (Hz)	Compressor model	Voltage rating (V-Phase-Hz)	Cooling capacity (Btu/hr)	Input power (Watts)	EER	Input current (A)	LRA (A)	Displacement (cc/Rev.)	Weight (kg)	Motor circuit	Start capacitor Mfd	Start capacitor VAC	Run capacitor Mfd	Run capacitor VAC	BOM suffix
CRK7M*	60	CR20K7M-PFV	208-230-1-60	19400	1835	10.57	8.5	65	37.64	28.0	PSC	N/A	N/A	40	370	-
		CR25K7M-PFV	208-230-1-60	24500	2300	10.65	10.2	77	46.19	31.5	PSC/CSCR	150 - 200	230	45	370	-
		CR26K7M-PFV	208-230-1-60	25400	2365	10.74	10.6	77	47.04	31.5	PSC/CSCR	150 - 200	230	45	370	-

*Values as per **ARI** rating conditions: Evaporating temperature 7.2°C (45°F), condensing temperature 54.4°C (130°F), ambient temperature 35°C (95°F), liquid temperature 46°C (115°F), return gas temperature 18.3°C (65°F).

*Note: For availability, check with local representative or application engineer.

R407C

Series	Frequency (Hz)	Compressor model	Voltage rating (V-Phase-Hz)	Cooling capacity (Btu/hr)	Input power (Watts)	EER	Input current (A)	LRA (A)	Displacement (cc/Rev.)	Weight (kg)	Motor circuit	Start capacitor Mfd	Start capacitor VAC	Run capacitor Mfd	Run capacitor VAC	BOM suffix
CRK6ME	50	CR24K6ME-PFZ	220-240-1-50	18600	1850	10.05	9.0	61	44.28	29.8	PSC/CSCR	150 - 200	230	36	370	101
		CR24K6ME-TFD	380-420-3-50	18360	1870	9.82	3.5	28	44.28	29.5	3 Phase	N/A	N/A	N/A	N/A	101
		CR29K6ME-TFM	380-420-3-50	24200	2260	10.70	4.2	28	51.47	30.0	3 Phase	N/A	N/A	N/A	N/A	111
		CR34K6ME-TFD	380-420-3-50	27250	2600	10.48	4.9	41	59.66	31.0	3 Phase	N/A	N/A	N/A	N/A	101
		CR35K6ME-TFM	380-420-3-50	29350	2650	11.07	4.8	41	59.66	31.0	3 Phase	N/A	N/A	N/A	N/A	121
		CR36K6ME-PFZ	220-240-1-50	27400	2715	10.09	13.4	85	59.66	34.9	CSCR	130 - 156 43 - 52	250 330	45	370	121
		CR37K6ME-TFD	380-420-3-50	30900	2900	10.65	5.4	45	63.52	32.0	3 Phase	N/A	N/A	N/A	N/A	101
		CR41K6ME-TFM	380-420-3-50	33160	3070	10.80	5.9	45	72.09	32.7	3 Phase	N/A	N/A	N/A	N/A	101
	60	CR20K6ME-PFV	208-230-1-60	18925	1880	10.06	8.6	60	39.35	29.8	PSC	150 - 200	230	36	370	101
		CR24K6ME-PFV	208-230-1-60	22300	2195	10.15	10.0	60	44.28	29.8	PSC/CSCR	150 - 200	230	36	370	101
		CR24K6ME-TF5	200-230-1-60	21900	2100	10.42	6.9	55	44.28	29.5	3 Phase	N/A	N/A	N/A	N/A	101
		CR24K6ME-TFD	380-460-3-60	22140	2170	10.20	3.5	28	44.28	29.5	3 Phase	N/A	N/A	N/A	N/A	101
		CR32K6ME-PFV	208-230-1-60	32350	3140	10.30	15.4	88	57.70	29.8	CSCR	150-200	230	45	440	101
		CR34K6ME-PFV	208-230-1-60	33015	3205	10.30	14.9	88	59.66	32.5	CSCR	150 - 200	230	45	440	101
		CR34K6ME-TFD	380-460-3-60	32720	3100	10.55	5.0	45	59.66	31.0	3 Phase	N/A	N/A	N/A	N/A	101
		CR34K6ME-TF5	200-230-3-60	32800	3100	10.58	9.9	77	59.66	31.0	3 Phase	N/A	N/A	N/A	N/A	101
		CR37K6ME-PFV	208-230-1-60	36400	3500	10.40	15.5	86	63.52	34.9	CSCR	189 - 227	330	50	440	101
		CR37K6ME-TF5	200-230-3-60	34100	3370	10.11	11.4	100	72.09	32.7	3 Phase	N/A	N/A	N/A	N/A	101
CR37K6ME-TFD	380-460-3-60	36090	3430	10.52	5.3	45	63.52	32.0	3 Phase	N/A	N/A	N/A	N/A	101		
CR42K6ME-PFV	208-230-1-60	40575	3745	10.83	16.9	102	72.09	34	CSCR	189-227	330	40/45	440	101		
CR42K6ME-TF5	200-230-3-60	39495	3685	10.72	11.5	100	72.09	32.7	3 Phase	N/A	N/A	N/A	N/A	101		
CRKQME	60	CR47KQME-PFV	208-230-1-60	46315	4470	10.36	20.8	115	82.74	36.0	CSCR	189 - 227	330	60	440	101,102
		CR47KQME-TF5	200-230-3-60	45500	4335	10.49	13.3	125	78.78	36.8	3 Phase	N/A	N/A	N/A	N/A	201
		CR53KQME-PFV	208-230-1-60	50015	5080	9.84	24.1	155	88.28	36.3	CSCR	189 - 227	330	60	370	202
		CR53KQME-TF5	200-230-3-60	50745	4850	10.46	14.8	135	88.28	36.8	3 Phase	N/A	N/A	N/A	N/A	202
		CR57KQME-PFV	208-230-1-60	52650	6165	8.54	34.0	155	94.61	36.3	CSCR	189 - 227	330	60	370	202
		CR57KQME-TF5	200-230-3-60	53885	5378	10.02	16.0	135	94.61	36.8	3 Phase	N/A	N/A	N/A	N/A	202
		CR62KQME-PFV	208-230-1-60	56400	6090	9.26	28.3	155	101.92	40.3	CSCR	189 - 227	330	60	370	202
		CR62KQME-TF5	200-230-3-60	59900	5765	10.39	16.6	125	101.92	37.0	3 Phase	N/A	N/A	N/A	N/A	202

*Values as per **ASHRAE/T** rating conditions: Evaporating temperature 7.2°C (45°F), condensing temperature 54.4°C (130°F), ambient temperature 35°C (95°F), liquid temperature 46°C (115°F), return gas temperature 35°C (95°F)

R407C

Series	Frequency (Hz)	Compressor model	Voltage rating (V-Phase-Hz)	Cooling capacity (Btu/hr)	Input power (Watts)	EER	Input current (A)	LRA (A)	Displacement (cc/Rev.)	Weight (kg)	Motor circuit	Start capacitor Mfd	Start capacitor VAC	Run capacitor Mfd	Run capacitor VAC	BOM suffix
CRKQME	50	CR47KQME-TFD	380-420-3-50	36500	3580	10.20	6.9	66	78.78	36.2	3 Phase	N/A	N/A	N/A	N/A	201,202,203
		CR53KQME-TFD	380-420-3-50	41200	4110	10.02	7.6	61	88.28	36.2	3 Phase	N/A	N/A	N/A	N/A	201,202,203
		CR57KQME-TFD	380-420-3-50	45000	4450	10.11	8.2	61	94.61	36.2	3 Phase	N/A	N/A	N/A	N/A	201,202,203
		CR62KQME-TFD	380-420-3-50	49500	4890	10.12	8.9	65	101.92	36.2	3 Phase	N/A	N/A	N/A	N/A	201,202,203
	60	CR47KQME-TFD	380-460-3-60	42500	4150	10.24	7.2	54	78.78	36.2	3 Phase	N/A	N/A	N/A	N/A	201,202,203
		CR53KQME-TFD	380-460-3-60	47500	4740	10.03	8.1	60	88.28	36.2	3 Phase	N/A	N/A	N/A	N/A	201,202,203
		CR57KQME-TFD	380-460-3-60	52000	5150	10.10	8.0	60	94.61	36.2	3 Phase	N/A	N/A	N/A	N/A	201,202,203
CR62KQME-TFD	380-460-3-60	57500	5690	10.11	8.8	52	101.92	36.2	3 Phase	N/A	N/A	N/A	N/A	201,202,203		

*Values as per **ARI** rating conditions: Evaporating temperature 7.2°C (45°F), condensing temperature 54.4°C (130°F), ambient temperature 35°C (95°F), liquid temperature 46°C (115°F), return gas temperature 18.3°C (65°F)

Square mounted compressors

Single phase

Family	Capacity	Height "A"	Grommet height "B"	Length max	Width max	Tube config	View
K6	CR20/24/32	13.35	0.87	9.52	8.95	D2	1
	CR22	13.35	0.87	9.26	8.95	D2	1
	CR22/24	13.35	0.87	9.26	8.95	D2	2
	CR28/34/37	14.11	0.87	9.52	8.95	D3	1
	CR30	14.11	0.87	9.26	8.95	D2	1
	CR30/32	14.11	0.87	9.26	8.95	D2	2
	CR32	14.11	0.87	9.52	8.95	D2	1
	CR34/37	14	0.87	9.26	8.95	D3	1
	CR36	13.76	0.87	10.02	9.22	D2	5
	CR36	13.76	0.87	10.35	9.22	D2	5
CR36	13.76	0.87	10.35	9.37	D3	4	
CR42	13.91	0.87	10.33	9.32	D5	4	
CR42	13.91	0.87	10.39	9.22	D5	4	
K8	CR23/30	14.11	0.87	9.26	8.95	D1	1
KQ	CR47	14.26	0.87	10.43	9.22	D4	4
	CR47-62	14.26	1.25	10.78	10.1	D4	4
	CR53-62	15.01	1.25	10.78	10.1	D4	4

Fig.1 - Square mounted compressors

Length_centers 7.5 | Width_centers 7.5

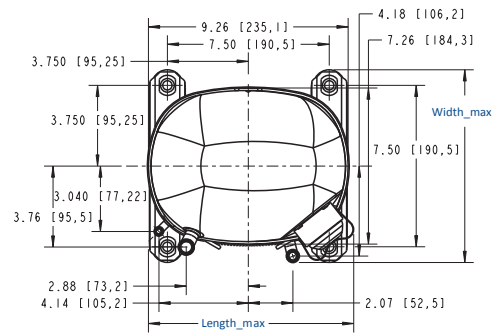
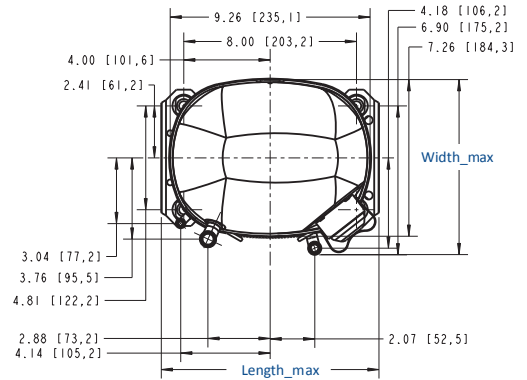


Fig.2 - Rectangle mounted compressors

Length_centers 8 | Width_centers 4.81

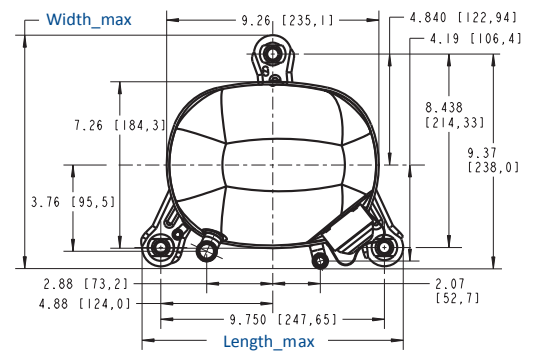


Three phase

Family	Capacity	Height "A"	Grommet height "B"	Length max	Width max	Tube config	View
K6	CR22/24/30	13.59	0.87	9.26	8.95	D2	1
	CR34	13.85	0.87	9.26	8.95	D3	1
	CR34/37	14	0.87	9.26	8.95	D3	1
	CR35	13.51	0.87	10.02	9.22	D2	5
	CR36	13.51	0.87	10.35	9.22	D2	5
	CR36	13.51	0.87	10.35	9.37	D3	4
	CR41-42	14	0.87	10.33	9.32	D3	4
KQ	CR47-62	14.26	1.25	10.71	9.82	D6	3
	CR47-72	14.26	1.25	10.98	10.2	D6	3
	CR47-72	14.26	1.25	10.78	10.1	D4	4

Fig.3 - Triangle mounted compressors

Length_centers 9.75 | Width_centers 8.44



Rectangular mounted compressors

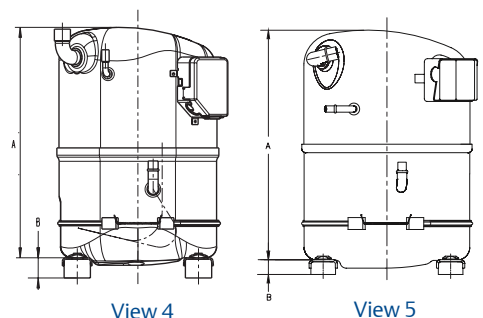
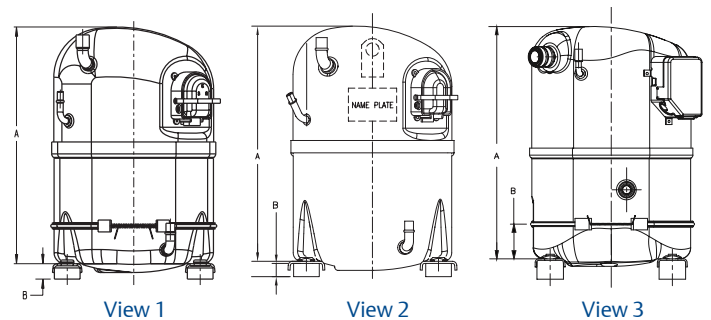
Single phase

Family	Capacity	Height "A"	Grommet height "B"	Length max	Width max	Tube config	View
K6	CR20	13.35	0.87	10.16	8.19	D1	2
	CR20/24/32	13.35	0.84	10.08	8.11	D2	1
	CR24	13.35	0.87	10.16	8.19	D2	2
	CR28	14.11	0.84	10.08	8.11	D3	1
	CR30/32	14.11	0.87	10.16	8.19	D2	2
	CR32	14.11	0.84	10.08	8.11	D2	1

Triangular mounted compressors

Single phase

Family	Capacity	Height "A"	Grommet height "B"	Length max	Width max	Tube config	View
K6	CR20	13.35	0.84	11.39	10.22	D1	2
	CR20/24	13.35	0.87	11.39	10.18	D2	1
	CR24	13.35	0.84	11.39	10.22	D2	2
	CR28	14.11	0.87	11.39	10.18	D3	1
	CR30	14.11	0.87	11.39	10.18	D2	1
	CR30	14.11	0.84	11.39	10.22	D2	2
K8	CR18/19/23	14.11	0.87	11.39	10.15	D1	1
	CR28/30	14.11	0.87	11.39	10.15	D2	1



Tube configuration

Family	D1	D2	D3	D4	D5	D6
Suction tube	1/2	5/8	3/4	7/8	3/4	SPUD
Discharge tube	3/8	3/8	3/8	1/2	1/2	SPUD
Process tube	1/4	1/4	1/4	3/8	3/8	3/8

*Note: All dimensions shown in the table are all in inches. For detailed drawings, please check with local representative or application engineer.

EmersonClimateMEA.com

2016/MEA/08

United Arab Emirates

Emerson Climate Technologies FZE
Jebel Ali Free Zone
PO Box 26382
Dubai UAE
Toll Free: 8004413428
Tel: + 971 4 8118100
Fax: + 971 4 8865465

Saudi Arabia

Emerson Arabia Inc.
P.O Box 34332 – 3620 Building 7874
Unit 1, 67th street 2nd Industrial City
Dammam, Saudi Arabia
Toll Free: 8008443426
Tel: + 966 3 8147560
Fax: + 966 3 8147570

South Africa

Emerson Climate Technologies
24 Angus Crescent,
Longmeadow Business Estate East,
Modderfontein, South Africa
Toll Free: 0800982155
Tel : +27 11 451 3700
Fax: +27 11 451 3800

For complete product details and additional information, visit

EmersonClimateMEA.com

Emerson, Copeland Scroll and CoreSense are trademarks of Emerson Electric Co. or one of its affiliated companies.
©2016 Emerson Climate Technologies, Inc. All rights reserved.

EmersonClimMEA



EMERSON. CONSIDER IT SOLVED.™