

Technical Sales Guide – 60Hz

DEH STELLAR MICRO SERIES

Air Cooled Packaged Air Conditioners
3 to 6 TR - (R-410a)



MICRO SERIES

Table of Contents

DESCRIPTION..... 3

 TYPICAL UNIT CONFIGURATION 3

 FEATURES..... 4

 OPTIONS AVAILABLE 4

 SELECTION METHOD: 5

 PIN NUMBER GUIDELINES..... 5

 PRODUCT DATA 6

 COOLING PERFORMANCE DATA 7

 FAN PERFORMANCE DATA..... 17

 SOUND RATING DATA 18

 ELECTRICAL DATA 18

 DIMENSIONAL DATA (DEH 036-048)..... 19

 DIMENSIONAL DATA (DEH 060-072)..... 20

 TYPICAL WIRING DIAGRAM..... 21

GUIDE SPECIFICATION..... 22

 DESCRIPTION..... 22

 REFRIGERANT R-410a..... 22

MAINTENANCE 23

 EVERY MONTH..... 23

 EVERY THREE MONTHS 23

 EVERY SIX MONTHS..... 23

 EVERY TWELVE MONTHS..... 23

DESCRIPTION

Models DEH 036, 048, 060, 072 (3, 4, 5, 6 Nominal Tons).

YORK STELLAR Units are single package energy efficient high ambient rooftops air conditioner. All Models have single refrigerant circuits for efficient part load operation. STELLAR units are designed for roof top slab mounted at ground level or on steel platform installation above floor or roof. A wide range of factory mounted options and field installed accessories make the STELLAR units suitable for almost every application.

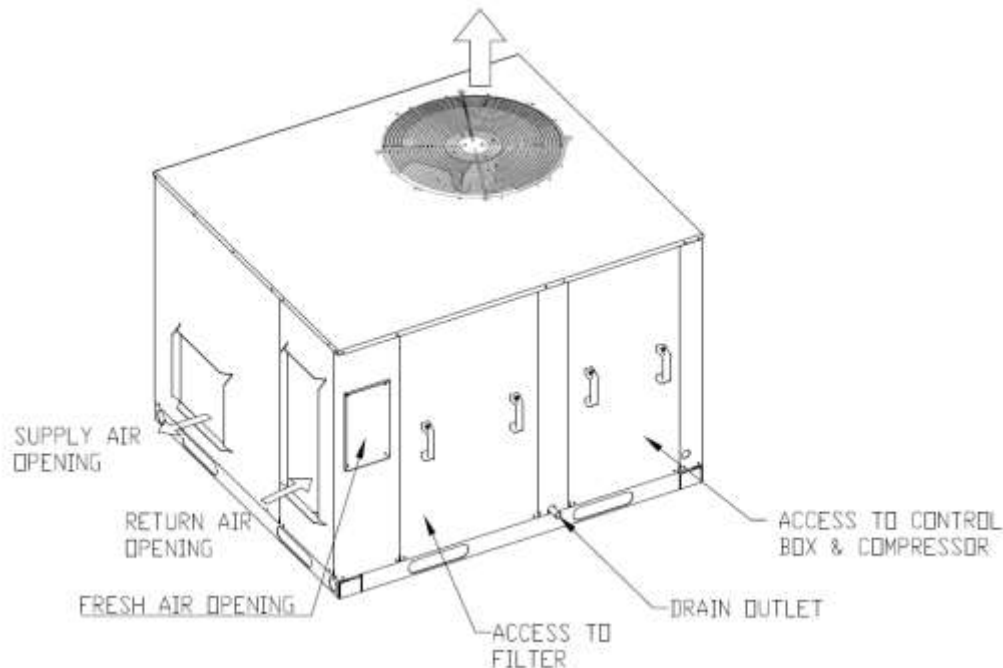
YORK STELLAR units are designed to operate satisfactorily in wide range of ambient temperatures from 131°F (55°C) down to 50°F (10°C) as standard.

YORK STELLAR packaged air conditioners are rated in accordance with AHRI 340/360.

All standard units include:

- Powder paint finish that meets ASTM B 117, 750 hour salt spray standard.
- Single stage cooling provided by single independent refrigeration circuits with expansion valves, filter drier, high and low pressure switches.
- High efficiency compressors.
- Side air discharge configuration.
- Direct drive arrangement.
- Totally Enclosed Air over (TEAO) Evaporator fan motors with Class B Insulation.
- Totally Enclosed Air over (TEAO) Condenser fan motors with Class B/F Insulation.
- Fresh air intake panel.
- Copper tubes / Aluminum fins Evaporator coils.
- Micro-Channel Aluminum alloy Condenser coils.
- 2 inch disposable filter with easy access.
- Rigging holes in base rails for overhead lifting. Single point power connection.
- Complete factory package-tested, charged and wired.

TYPICAL UNIT CONFIGURATION



FEATURES

Stellar units are self-contained and assembled on full perimeter base rails with rigging holes in the four corners for overhead rigging. Every unit is completely piped, wired, charged and tested at the factory to simplify the field installation and to provide years of dependable operation. All models are suitable for horizontal duct connections. The power supply can be routed into the control box through a gland in the wiring panel on the front of the unit.

Compressors type of an advanced design ensuring high Energy Efficiency Ratio, less noise, less vibration and outstanding endurance. Internal pressure relief valve, internal compressor motor protection. Every refrigerant circuit includes an expansion valve, liquid line filter-drier, a discharge line high pressure switch and low pressure switch to protect all system components.

Each supply air blower is equipped with a direct motor drive to meet the exact requirements of the application. All evaporator blower motors are TEAO with Class B insulation.

A fixed outdoor air intake connection that is designed for 25% fresh air is available as standard. Fresh air dampers are optional for field / factory installation.

Condenser fans are propeller type of heavy duty construction, dynamically balanced and suitable for operate up to 80°C ambient. Fans are driven by TEAO motors with Class B/F insulation. The fan blade pitch Angle is designed for maximum airflow and minimum noise.

The evaporator and microchannel coils are constructed of seamless internally enhanced copper tubes and aluminum tubes which are mechanically bonded to aluminum fins. Heat Exchangers are tested to a minimum pressure of 445/236 psig High/Low.

A GI painted drain pan with side condensate removal ensures zero water retention and no corrosion that ensures indoor air quality (IAQ).

All units have long lasting powder paint cabinets with a robust 40 microns thick paint coating that meets ASTM-B-117 standards and suitable for 750 hour salt spray test, ensuring excellent resistance to corrosion in the harshest conditions. The cabinet of all Stellar is internally lined by 13mm Elastomeric insulation that minimize heat gain and improves IAQ.

OPTIONS AVAILABLE

- Heresite Coated Evaporator Coils (factory installed): Coating is applied by spray for maximum corrosion protection.
- Techno Coating and E-Coating Condenser Coils (factory installed).
- Copper Tube and Copper Fin Evaporator Coils (factory installed).
- Filter Options: Standard units are shipped, installed with 2" throw away filters. 2" washable aluminum filters.
- Fresh Air Dampers: Manual or motorized.
- Electric Heaters: All electric heat models (heater factory/field installed only) are wired for a single power source and include a bank of nickel chromium elements to be mounted at the discharge of the supply air blower to provide a high velocity and uniform distribution of air across the heating elements. Every element is fully protected against excessive current and temperature by high temperature thermal cut-out (HTIC).
- Main Disconnect Switch (factory installed): Suitably sized in accordance with the applicable electrical codes.
- Thermostat (field installed): For Single stage cooling only and a single stage heating.
- Smoke Detectors for supply air & return air (factory installed): The smoke detectors stop operation of the unit by interrupting power to the control board if smokes detected within the air compartment.

SELECTION METHOD:

The following steps illustrate the selection of a DEH Package Unit for a Total Capacity requirement of 46MBh and an Airflow of 1,600 cfm. The unit operating Parameters are;

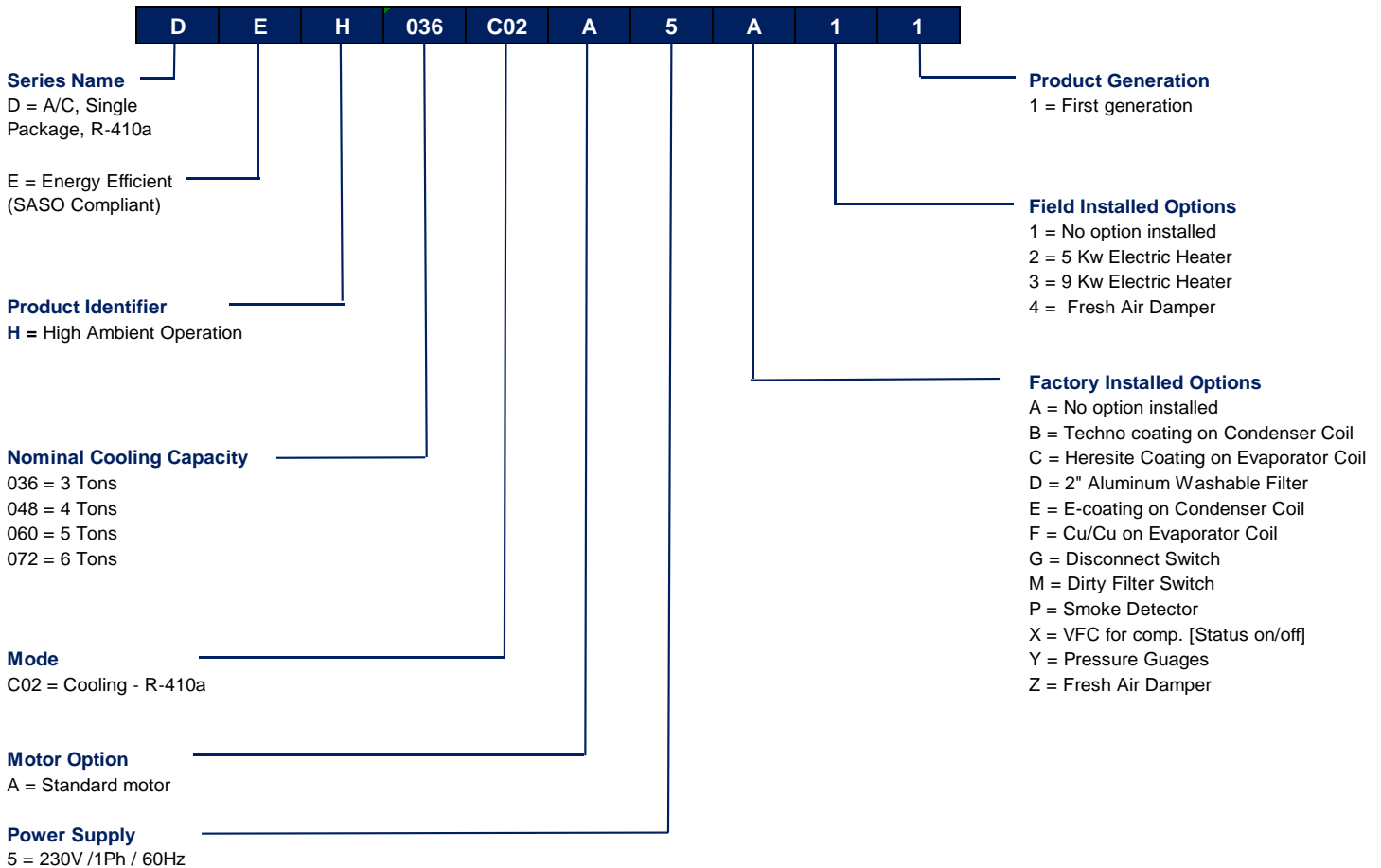
Entering Air Temperature: 80/67°F (DB/WB)
 Ambient Temperature: 95°F
 Fan External Static Pressure: 0.6 inch wg.

Step 1 Select the unit model by referring to "Cooling Performance data" table for 95°F ambient on Page 9 Scroll down the "Total capacity" and "Entering Air WBT" columns until 46 MBH With (or a value close to it) is found at 67°F WB For an airflow close to 1,600 cfm. The selected model is DEH048 giving total Capacity 49.6 MBh with the actual compressor power input being 3.23 KW.

Step 2 For the sensible capacity read the value at the Intersection of the same row (as the WB in step1) and the 80° DB column on the right. The Sensible capacity for the unit in this example is 36.5 MBh.

Refer "Fan Performance Data" on page 17 to Check the motor size .

PIN NUMBER GUIDELINES



PRODUCT DATA

Model				DEH036	DEH048	DEH060	DEH072
Ratings @ ARI Conditions	EER Net	Btuh / W		12.9	11.6	11.5	11.7
	Capacity Gross	MBh	(KW)	39 (11.4)	49 (14.4)	61 (17.9)	72 (21.1)
	Capacity Net	MBh	(KW)	37.5 (11)	47.5 (13.9)	59 (17.3)	70 (20.5)
	Compressor Power Input	Hp	(KW)	3.3 (2.4)	4.6 (3.4)	5.6 (4.2)	6.5 (4.8)
Heating Capacities	Option 1	MBh	(KW)	17 (5)	17 (5)	17 (5)	17 (5)
	Option 2	MBh	(KW)	-	-	-	31 (9)
Evaporator Coil	Tube / Fins			Enhanced Copper / Aluminum			
	Fins	fpi	mm	14 (1.8)	14 (1.8)	14 (1.8)	14 (1.8)
	Area	ft ²	m ²	5.8 (0.5)	5.8 (0.5)	10.5 (0.97)	10.5 (0.97)
Condenser Coil	Tube / Fins			2 Pass Microchannel			
	Fins	fpi	mm	23 (1.1)	23 (1.1)	23 (1.1)	23 (1.1)
	Area	ft ²	m ²	15.5 (1.4)	15.5 (1.4)	21.6 (2)	24.4 (2.3)
Blower Fan & Motor	Fan Type			Forward Curved Centrifugal - DIDW			
	Fan Qty			1	1	1	1
	Motor Type			EMC, Class B insulation, Totally Enclosed Air Over			
	Motor Size std	Hp	(KW)	0.5 (0.37)	0.75 (0.55)	1.0 (0.75)	1.0 (0.75)
Condenser Fan & Motor	Type			Heavy duty Propeller Fan			
	Quantity		#	1	1	1	1
	Motor Type			Class B Insulation, Totally Enclosed Air Over		Class F Insulation, Totally Enclosed Air Over	
	Motor size	Hp	(KW)	0.75 (0.55)	0.75 (0.55)	0.75 (0.55)	0.75 (0.55)
	Quantity		#	1	1	1	1
Compressor	Type			Hermetic Scroll			
	# of Compressor		#	1	1	1	1
Refrigerant	Type			R-410a			
	No of Circuits		#	1	1	1	1
	Charge	lbs	kgs	5.8 (2.6)	4.5 (2)	6.6 (3)	9.9 (4.5)
Dimensions	Height	inches	mm	37 (936)	37 (936)	48 (1208)	48 (1208)
	Width	inches	mm	47 (1194)	47 (1194)	47 (1189)	47 (1189)
	Length	inches	mm	53 (1346)	53 (1346)	69 (1749)	69 (1749)
Filters	24x24x2 Inches		Qty	-	-	1	1
	24x20x2 Inches		Qty	1	1	1	1
	12x20x2 Inches		Qty	-	-	1	1
	24x12x2 Inches		Qty	1	1	1	1
Weights	Basic Unit	lbs	kgs	904 (410)	973 (441)	1395 (633)	1197 (543)

COOLING PERFORMANCE DATA

Ambient 85°F (29.4°C)									
Model	Air Flow Rate	Entering Air WBT	Total Gross Capacity	Comp. Power Input	Gross Sensible Capacity				
					70°F (21.1°C)	75°F (23.9°C)	80°F (26.7°C)	85°F (29.4°C)	90°F (32.2°C)
	cfm	°F	MBh	kW	MBh	MBh	MBh	MBh	MBh
DEH036	900	62	34.1	1.79	17.7	23.4	28.1	31.6	33.7
		64.5	35.7	1.79	14.6	20.7	25.9	30.2	33.4
		67	37.3	1.79	11.5	17.8	23.5	28.3	32.2
		69.5	39.0	1.79	8.5	15.0	20.8	26.0	30.5
		72	40.7	1.79	-	12.2	18.2	23.7	28.5
	1050	62	35.0	1.79	19.5	25.8	30.6	33.8	35.0
		64.5	36.7	1.79	16.0	22.8	28.5	32.8	35.7
		67	38.3	1.79	12.4	19.6	25.8	31.0	34.9
		69.5	40.0	1.79	8.8	16.3	22.9	28.6	33.3
		72	41.8	1.79	-	13.0	19.9	26.0	31.3
	1200	62	35.7	1.79	21.1	27.9	32.7	35.4	35.7
		64.5	37.4	1.79	17.2	24.8	30.8	35.0	37.3
		67	39.1	1.79	13.2	21.2	28.0	33.4	37.1
		69.5	40.8	1.79	9.1	17.6	24.9	31.0	35.8
		72	42.5	1.79	-	13.8	21.6	28.3	33.8
	1500	62	37.4	1.79	24.4	31.9	36.4	37.4	37.4
		64.5	38.6	1.79	19.6	28.3	34.6	38.1	38.6
		67	40.2	1.79	14.6	24.3	31.9	37.3	40.1
		69.5	42.0	1.79	9.5	19.9	28.5	35.2	39.8
		72	43.8	1.79	-	15.3	24.7	32.3	38.2
DEH048	1200	62	46.2	2.84	23.8	31.4	37.7	42.5	45.5
		64.5	48.5	2.84	19.7	27.8	34.9	40.7	45.0
		67	50.5	2.84	15.5	24.0	31.5	38.0	43.3
		69.5	52.8	2.84	-	20.1	28.0	34.9	40.9
		72	55.0	2.84	-	16.4	24.4	31.7	38.2
	1400	62	47.5	2.84	26.2	34.6	41.2	45.7	47.5
		64.5	49.6	2.84	21.4	30.6	38.2	44.1	48.1
		67	51.8	2.84	16.7	26.3	34.7	41.6	47.0
		69.5	54.0	2.84	11.9	21.9	30.7	38.4	44.7
		72	56.4	2.84	-	17.5	26.7	34.9	42.0
	1600	62	48.4	2.84	28.4	37.4	44.0	47.8	48.4
		64.5	50.6	2.84	23.1	33.2	41.3	47.1	50.3
		67	52.9	2.84	17.7	28.5	37.6	44.8	50.0
		69.5	55.1	2.84	12.3	23.6	33.4	41.6	48.1
		72	57.4	2.84	-	18.6	28.9	37.9	45.4
	2000	62	51.2	2.84	33.0	43.1	49.4	51.2	51.2
		64.5	51.9	2.84	26.3	38.0	46.4	51.2	51.9
		67	54.4	2.84	19.7	32.6	42.9	50.1	54.1
		69.5	56.5	2.84	12.8	26.7	38.2	47.1	53.3
		72	58.7	2.84	-	20.5	33.0	43.2	51.1

Ambient 85°F (29.4°C)									
Model	Air Flow Rate	Entering Air WBT	Total Gross Capacity	Comp. Power Input	Gross Sensible Capacity				
					70°F (21.1°C)	75°F (23.9°C)	80°F (26.7°C)	85°F (29.4°C)	90°F (32.2°C)
	cfm	°F	MBh	kW	MBh	MBh	MBh	MBh	MBh
DEH060	1350	62	57.0	3.49	28.0	36.9	44.5	50.5	54.8
		64.5	59.5	3.49	23.2	32.6	40.8	47.8	53.4
		67	62.2	3.60	18.6	28.2	36.9	44.5	51.1
		69.5	64.9	3.60	-	23.8	32.8	40.9	48.1
		72	67.8	3.60	-	19.6	28.8	37.2	44.8
	1700	62	59.4	3.49	32.2	42.6	50.8	56.5	59.4
		64.5	62.1	3.60	26.4	37.7	47.1	54.5	59.7
		67	64.8	3.60	20.6	32.4	42.6	51.2	58.0
		69.5	67.5	3.60	14.8	27.0	37.8	47.2	55.1
		72	70.3	3.71	-	21.6	32.9	42.9	51.6
	2000	62	60.6	3.60	35.5	46.9	55.1	59.9	60.6
		64.5	63.4	3.60	29.0	41.6	51.7	59.0	63.0
		67	66.2	3.60	22.2	35.7	47.0	56.1	62.5
		69.5	69.0	3.71	15.3	29.5	41.8	52.1	60.2
		72	71.8	3.71	-	23.2	36.2	47.4	56.7
	2700	62	63.5	3.60	42.8	55.5	62.6	63.5	63.5
		64.5	65.7	3.60	34.4	49.7	60.3	65.5	65.7
		67	68.5	3.71	25.5	42.7	55.9	64.7	68.5
		69.5	71.5	3.71	16.3	34.9	50.0	61.5	68.9
		72	74.3	3.71	-	26.6	43.2	56.6	66.5
DEH072	1380	62	62.2	3.08	29.5	38.8	46.9	53.6	58.5
		64.5	65.2	3.08	24.7	34.4	43.1	50.6	56.8
		67	68.3	3.08	19.9	29.9	38.9	47.1	54.1
		69.5	71.6	3.17	-	25.5	34.8	43.3	50.9
		72	75.0	3.17	-	21.2	30.7	39.4	47.4
	1650	62	64.7	3.53	33.0	43.6	52.4	59.1	63.4
		64.5	67.9	3.62	27.3	38.6	48.3	56.5	62.7
		67	71.1	3.62	21.7	33.3	43.7	52.8	60.3
		69.5	74.4	3.62	-	28.1	38.9	48.6	57.0
		72	77.7	3.71	-	22.9	34.1	44.2	53.2
	2350	62	70.5	4.15	41.6	54.8	64.4	69.8	70.5
		64.5	72.2	4.15	33.5	48.2	59.8	67.9	72.1
		67	75.5	4.15	25.6	41.3	54.5	64.9	72.0
		69.5	79.0	4.24	17.6	34.2	48.5	60.4	69.7
		72	82.6	4.24	-	26.9	42.1	55.1	65.9
	2680	62	73.3	5.05	45.5	59.7	69.2	73.3	73.3
		64.5	73.3	5.05	36.1	52.1	64.0	71.4	73.3
		67	76.8	5.05	27.2	44.7	58.9	69.3	75.6
		69.5	80.3	5.05	18.1	36.8	52.5	65.1	74.2
		72	84.0	5.14	-	28.6	45.5	59.7	70.9

YORK STELLAR DEH MICRO SERIES

Ambient 95°F (35°C)									
Model	Air Flow Rate	Entering Air WBT	Total Gross Capacity	Comp. Power Input	Gross Sensible Capacity				
					70°F (21.1°C)	75°F (23.9°C)	80°F (26.7°C)	85°F (29.4°C)	90°F (32.2°C)
	cfm	°F	MBh	kW	MBh	MBh	MBh	MBh	MBh
DEH036	900	62	33.5	2.15	17.6	23.2	27.8	31.2	33.2
		64.5	35.1	2.15	14.5	20.5	25.7	29.9	33.0
		67	36.7	2.15	11.4	17.7	23.3	28.0	31.9
		69.5	38.4	2.15	8.4	14.9	20.7	25.8	30.2
		72	40.1	2.15	-	12.0	18.1	23.5	28.3
	1050	62	34.4	2.15	19.3	25.5	30.3	33.4	34.4
		64.5	36.1	2.15	15.8	22.6	28.3	32.5	35.3
		67	37.7	2.15	12.2	19.4	25.6	30.7	34.6
		69.5	39.4	2.15	8.7	16.2	22.8	28.4	33.1
		72	41.0	2.15	-	12.9	19.8	25.8	31.0
	1200	62	34.9	2.15	20.9	27.6	32.3	34.8	34.9
		64.5	36.7	2.15	17.1	24.5	30.4	34.6	36.7
		67	38.5	2.15	13.0	21.1	27.8	33.1	36.7
		69.5	40.1	2.15	8.9	17.4	24.7	30.7	35.5
		72	41.8	2.15	-	13.7	21.4	28.1	33.5
	1500	62	37.0	2.15	24.3	31.6	36.0	37.0	37.0
		64.5	37.7	2.15	19.4	28.0	34.1	37.4	37.7
		67	39.6	2.15	14.5	24.1	31.7	36.9	39.5
		69.5	41.2	2.15	9.4	19.7	28.3	34.9	39.3
		72	43.0	2.15	-	15.2	24.5	32.1	37.8
DEH048	1200	62	43.4	3.23	23.1	30.6	36.6	40.9	43.3
		64.5	45.6	3.23	19.0	27.0	33.9	39.3	43.3
		67	47.5	3.23	14.9	23.3	30.6	36.8	41.8
		69.5	49.5	3.23	10.8	19.5	27.2	33.9	39.7
		72	51.6	3.23	-	15.7	23.7	30.8	37.1
	1400	62	44.3	3.23	25.4	33.5	39.6	43.4	44.3
		64.5	46.6	3.23	20.8	29.7	37.1	42.5	45.9
		67	48.6	3.23	16.0	25.5	33.7	40.3	45.1
		69.5	50.7	3.23	11.2	21.2	29.9	37.3	43.3
		72	52.9	3.23	-	16.8	25.9	33.9	40.7
	1600	62	45.8	3.23	27.7	36.4	42.6	45.7	45.8
		64.5	47.5	3.23	22.4	32.3	40.0	45.2	47.5
		67	49.6	3.23	17.0	27.7	36.5	43.3	47.8
		69.5	51.6	3.23	11.6	22.8	32.4	40.3	46.4
		72	53.8	3.23	-	17.8	28.1	36.8	43.9
	2000	62	48.4	3.23	32.1	41.8	47.4	48.4	48.4
		64.5	48.6	3.23	25.5	36.8	44.6	48.5	48.6
		67	50.9	3.23	19.0	31.7	41.5	48.1	50.9
		69.5	52.9	3.23	12.1	25.8	37.0	45.5	51.0
		72	55.0	3.23	-	19.7	32.0	41.9	49.2

YORK STELLAR DEH MICRO SERIES

Ambient 95°F (35°C)									
Model	Air Flow Rate	Entering Air WBT	Total Gross Capacity	Comp. Power Input	Gross Sensible Capacity				
					70°F (21.1°C)	75°F (23.9°C)	80°F (26.7°C)	85°F (29.4°C)	90°F (32.2°C)
	cfm	°F	MBh	kW	MBh	MBh	MBh	MBh	MBh
DEH060	1350	62	52.4	4.03	26.9	35.5	42.6	48.1	51.5
		64.5	54.8	4.03	22.2	31.4	39.3	45.9	50.9
		67	57.3	4.03	17.6	27.1	35.5	42.9	48.9
		69.5	59.7	4.15	-	22.7	31.6	39.4	46.2
		72	62.3	4.15	-	18.5	27.6	35.8	43.1
	1700	62	54.4	4.03	31.0	40.9	48.4	53.1	54.4
		64.5	57.0	4.03	25.3	36.2	45.2	51.9	56.0
		67	59.5	4.15	19.5	31.1	41.0	49.1	55.1
		69.5	62.0	4.15	13.7	25.8	36.4	45.4	52.8
		72	64.5	4.15	-	20.5	31.6	41.3	49.5
	2000	62	55.8	4.03	34.3	45.0	52.4	55.8	55.8
		64.5	58.1	4.15	27.7	40.0	49.4	55.6	58.1
		67	60.7	4.15	21.0	34.3	45.2	53.5	58.9
		69.5	63.2	4.15	14.2	28.2	40.2	49.9	57.2
		72	65.9	4.26	-	22.0	34.7	45.6	54.3
	2700	62	58.2	4.15	41.1	52.8	58.2	58.2	58.2
		64.5	60.2	4.15	33.1	47.6	57.0	60.2	60.2
		67	62.7	4.15	24.3	41.0	53.4	60.9	62.7
		69.5	65.5	4.26	15.1	33.5	48.0	58.5	64.5
		72	68.0	4.26	-	25.3	41.5	54.2	63.0
DEH072	1380	62	59.9	3.56	29.0	38.2	46.1	52.4	57.1
		64.5	62.7	3.56	24.1	33.8	42.3	49.6	55.6
		67	65.7	3.66	19.4	29.3	38.3	46.2	53.1
		69.5	68.8	3.66	-	24.9	34.1	42.5	50.0
		72	72.0	3.76	-	20.6	30.0	38.7	46.6
	1650	62	62.3	4.17	32.4	42.9	51.4	57.7	61.6
		64.5	65.2	4.17	26.7	37.9	47.5	55.3	61.1
		67	68.3	4.27	21.1	32.7	43.0	51.8	59.0
		69.5	71.5	4.27	15.6	27.5	38.2	47.7	55.9
		72	74.7	4.37	-	22.3	33.4	43.4	52.2
	2350	62	68.1	4.77	40.9	53.9	63.1	67.9	68.1
		64.5	69.3	4.77	32.8	47.3	58.5	66.1	69.3
		67	72.3	4.88	24.9	40.5	53.4	63.3	69.8
		69.5	75.5	4.88	16.9	33.4	47.5	59.1	67.9
		72	78.9	4.98	-	26.1	41.2	54.0	64.4
	2680	62	70.8	6.60	44.8	58.6	67.6	70.8	70.8
		64.5	70.8	6.60	35.5	51.3	62.8	69.5	70.8
		67	73.4	6.60	26.5	43.8	57.6	67.4	72.8
		69.5	76.8	6.60	17.4	36.0	51.5	63.6	72.1
		72	80.3	6.70	-	27.8	44.6	58.5	69.2

YORK STELLAR DEH MICRO SERIES

Ambient 105°F (40.6°C)									
Model	Air Flow Rate	Entering Air WBT	Total Gross Capacity	Comp. Power Input	Gross Sensible Capacity				
					70°F (21.1°C)	75°F (23.9°C)	80°F (26.7°C)	85°F (29.4°C)	90°F (32.2°C)
	cfm	°F	MBh	kW	MBh	MBh	MBh	MBh	MBh
DEH036	900	62	29.7	2.54	16.6	22.0	26.1	28.8	29.7
		64.5	30.5	2.54	13.5	19.3	24.1	27.6	29.9
		67	32.0	2.54	10.4	16.6	21.9	26.2	29.5
		69.5	33.5	2.54	7.4	13.8	19.5	24.3	28.2
		72	35.0	2.54	-	11.0	16.9	22.1	26.5
	1050	62	31.0	2.43	18.4	24.3	28.5	30.8	31.0
		64.5	31.0	2.54	14.7	21.1	26.1	29.5	31.0
		67	32.6	2.54	11.2	18.2	24.0	28.4	31.4
		69.5	34.1	2.54	7.6	15.0	21.3	26.6	30.5
		72	35.6	2.54	-	11.8	18.5	24.2	28.9
	1200	62	32.0	2.54	20.1	26.4	30.5	32.0	32.0
		64.5	32.0	2.54	16.0	23.1	28.3	31.4	32.0
		67	33.2	2.54	11.9	19.7	25.9	30.4	32.9
		69.5	34.7	2.54	7.8	16.2	23.1	28.6	32.5
		72	36.2	2.54	-	12.5	20.0	26.3	31.1
	1500	62	33.5	2.54	23.2	30.0	33.3	33.5	33.5
		64.5	33.5	2.54	18.4	26.5	31.7	33.5	33.5
		67	33.6	2.54	13.2	22.4	29.1	32.9	33.6
		69.5	35.4	2.54	8.2	18.4	26.3	32.0	35.1
		72	36.8	2.54	-	13.8	22.8	29.7	34.4
DEH048	1200	62	40.8	3.73	22.5	29.7	35.3	39.2	40.8
		64.5	42.8	3.73	18.4	26.3	32.9	38.0	41.5
		67	45.0	3.63	14.4	22.7	29.9	35.9	40.6
		69.5	46.8	3.63	10.3	18.9	26.5	33.1	38.6
		72	48.9	3.63	-	15.1	23.1	30.1	36.2
	1400	62	42.0	3.73	24.8	32.7	38.4	41.6	42.0
		64.5	43.8	3.73	20.1	28.9	35.9	40.9	43.6
		67	45.9	3.63	15.4	24.9	32.8	39.1	43.5
		69.5	47.9	3.63	10.7	20.6	29.1	36.3	42.0
		72	49.9	3.73	-	16.2	25.2	33.1	39.6
	1600	62	43.6	3.73	27.1	35.6	41.2	43.6	43.6
		64.5	44.8	3.63	21.8	31.4	38.7	43.4	44.8
		67	46.7	3.63	16.4	26.9	35.5	41.9	45.8
		69.5	48.8	3.63	11.0	22.1	31.6	39.2	44.8
		72	50.8	3.73	-	17.2	27.3	35.8	42.6
	2000	62	46.1	3.63	31.4	40.7	45.6	46.1	46.1
		64.5	46.1	3.63	24.9	35.9	43.1	46.1	46.1
		67	47.8	3.63	18.3	30.8	40.2	46.1	47.8
		69.5	49.9	3.73	11.5	25.1	36.1	44.1	48.8
		72	51.7	3.73	-	19.0	31.1	40.7	47.4

YORK STELLAR DEH MICRO SERIES

Ambient 105°F (40.6°C)									
Model	Air Flow Rate	Entering Air WBT	Total Gross Capacity	Comp. Power Input	Gross Sensible Capacity				
					70°F (21.1°C)	75°F (23.9°C)	80°F (26.7°C)	85°F (29.4°C)	90°F (32.2°C)
	cfm	°F	MBh	kW	MBh	MBh	MBh	MBh	MBh
DEH060	1350	62	49.7	4.73	26.2	34.7	41.5	46.5	49.4
		64.5	52.1	4.73	21.6	30.6	38.4	44.6	49.2
		67	54.4	4.84	17.0	26.4	34.7	41.8	47.6
		69.5	56.7	4.84	12.4	22.1	30.8	38.5	45.0
		72	59.1	4.84	-	17.8	26.9	35.0	42.1
	1700	62	51.4	4.73	30.2	39.8	46.8	50.9	51.4
		64.5	53.9	4.84	24.6	35.3	43.9	50.1	53.5
		67	56.2	4.84	18.8	30.3	40.0	47.7	53.1
		69.5	58.6	4.84	13.0	25.0	35.5	44.2	51.1
		72	60.9	4.95	-	19.7	30.7	40.2	48.2
	2000	62	52.6	4.84	33.3	43.6	50.3	52.6	52.6
		64.5	54.9	4.84	27.0	38.9	47.9	53.4	54.9
		67	57.3	4.84	20.3	33.4	44.0	51.8	56.4
		69.5	59.7	4.84	13.5	27.4	39.1	48.5	55.3
		72	62.2	4.95	-	21.2	33.8	44.4	52.7
	2700	62	55.0	4.84	40.1	51.0	55.0	55.0	55.0
		64.5	56.7	4.84	32.2	46.2	54.7	56.7	56.7
		67	59.0	4.84	23.5	39.9	51.6	58.1	59.0
		69.5	61.5	4.95	14.3	32.5	46.6	56.4	61.3
		72	63.7	4.95	-	24.4	40.3	52.4	60.4
DEH072	1380	62	58.8	4.06	28.7	37.9	45.7	51.9	56.4
		64.5	61.7	4.06	23.9	33.5	42.0	49.3	55.1
		67	64.6	4.06	19.2	29.0	38.0	45.9	52.7
		69.5	67.8	4.17	-	24.7	33.9	42.2	49.6
		72	70.9	4.17	-	20.4	29.8	38.4	46.2
	1650	62	61.0	4.61	32.1	42.4	50.8	57.0	60.5
		64.5	64.0	4.61	26.5	37.6	47.0	54.7	60.4
		67	67.0	4.72	20.8	32.4	42.6	51.3	58.4
		69.5	70.2	4.72	15.3	27.2	37.9	47.3	55.4
		72	73.3	4.83	-	22.0	33.1	43.0	51.8
	2350	62	67.3	6.27	40.7	53.6	62.6	67.2	67.3
		64.5	67.3	6.27	32.4	46.7	57.6	64.8	67.3
		67	70.6	6.27	24.5	40.1	52.8	62.5	68.6
		69.5	73.9	6.39	16.6	33.0	47.1	58.5	67.0
		72	77.2	6.39	-	25.8	40.8	53.5	63.7
	2680	62	69.8	7.27	44.5	58.2	67.0	69.8	69.8
		64.5	69.7	7.27	35.3	50.9	62.2	68.7	69.7
		67	72.1	7.27	26.2	43.5	57.1	66.7	71.8
		69.5	75.1	7.38	17.1	35.6	51.0	62.9	71.1
		72	78.5	7.38	-	27.4	44.1	57.8	68.4

YORK STELLAR DEH MICRO SERIES

Ambient 115°F (46.1°C)									
Model	Air Flow Rate	Entering Air WBT	Total Gross Capacity	Comp. Power Input	Gross Sensible Capacity				
					70°F (21.1°C)	75°F (23.9°C)	80°F (26.7°C)	85°F (29.4°C)	90°F (32.2°C)
	cfm	°F	MBh	kW	MBh	MBh	MBh	MBh	MBh
DEH036	900	62	30.0	3.10	16.7	22.1	26.2	29.0	30.0
		64.5	30.5	3.10	13.5	19.3	24.0	27.6	29.9
		67	32.0	3.10	10.4	16.6	21.9	26.2	29.4
		69.5	33.5	3.10	7.4	13.8	19.4	24.3	28.2
		72	35.1	3.10	-	11.0	16.9	22.1	26.6
	1050	62	31.2	3.10	18.5	24.4	28.6	31.0	31.2
		64.5	31.2	3.10	14.7	21.2	26.3	29.7	31.2
		67	32.6	3.10	11.2	18.2	24.0	28.4	31.4
		69.5	34.1	3.10	7.6	15.0	21.3	26.5	30.5
		72	35.7	3.10	-	11.8	18.5	24.3	29.0
	1200	62	32.2	3.10	20.2	26.5	30.6	32.2	32.2
		64.5	32.2	3.10	16.0	23.1	28.4	31.5	32.2
		67	33.0	3.10	11.9	19.7	25.8	30.3	32.7
		69.5	34.6	3.10	7.8	16.2	23.1	28.6	32.4
		72	36.2	3.10	-	12.5	20.0	26.2	31.1
	1500	62	33.8	3.10	23.3	30.1	33.6	33.8	33.8
		64.5	33.8	3.10	18.5	26.6	31.9	33.8	33.8
		67	33.8	3.10	13.3	22.5	29.2	33.1	33.8
		69.5	35.3	3.10	8.2	18.3	26.3	31.9	35.0
		72	36.7	3.10	-	13.8	22.8	29.7	34.3
DEH048	1200	62	38.7	4.24	21.9	29.0	34.3	37.7	38.7
		64.5	40.5	4.35	17.9	25.7	32.0	36.8	39.8
		67	42.5	4.24	13.9	22.1	29.1	34.9	39.2
		69.5	44.7	4.24	9.9	18.4	25.9	32.4	37.6
		72	46.5	4.24	-	14.6	22.5	29.4	35.3
	1400	62	40.2	4.35	24.3	32.0	37.3	40.1	40.2
		64.5	41.6	4.24	19.6	28.3	35.0	39.5	41.6
		67	43.7	4.24	15.0	24.3	32.1	38.1	42.1
		69.5	45.6	4.24	10.2	20.0	28.5	35.4	40.8
		72	47.4	4.24	-	15.7	24.6	32.3	38.6
	1600	62	41.8	4.24	26.6	34.8	40.1	41.8	41.8
		64.5	42.2	4.24	21.2	30.6	37.4	41.5	42.2
		67	44.5	4.24	15.9	26.3	34.6	40.6	44.0
		69.5	46.3	4.24	10.5	21.6	30.9	38.2	43.4
		72	48.2	4.24	-	16.6	26.7	35.0	41.4
	2000	62	44.1	4.24	30.8	39.6	44.0	44.1	44.1
		64.5	44.1	4.24	24.4	35.1	41.9	44.1	44.1
		67	45.4	4.24	17.8	30.1	39.0	44.3	45.4
		69.5	47.3	4.24	11.0	24.5	35.2	42.7	46.9
		72	49.1	4.24	-	18.5	30.4	39.6	45.9

YORK STELLAR DEH MICRO SERIES

Ambient 115°F (46.1°C)									
Model	Air Flow Rate	Entering Air WBT	Total Gross Capacity	Comp. Power Input	Gross Sensible Capacity				
					70°F (21.1°C)	75°F (23.9°C)	80°F (26.7°C)	85°F (29.4°C)	90°F (32.2°C)
	cfm	°F	MBh	kW	MBh	MBh	MBh	MBh	MBh
DEH060	1350	62	46.3	5.47	25.4	33.6	40.0	44.4	46.3
		64.5	48.7	5.59	20.9	29.7	37.2	43.0	47.0
		67	50.9	5.59	16.2	25.6	33.7	40.5	45.8
		69.5	53.0	5.59	11.7	21.3	29.9	37.3	43.5
		72	55.2	5.70	-	17.1	26.0	33.9	40.8
	1700	62	48.0	5.59	29.3	38.5	44.8	47.9	48.0
		64.5	50.3	5.59	23.8	34.2	42.4	47.9	50.3
		67	52.4	5.59	18.0	29.3	38.7	45.9	50.6
		69.5	54.6	5.59	12.2	24.2	34.4	42.8	49.1
		72	56.9	5.70	-	18.9	29.7	39.0	46.5
	2000	62	49.1	5.59	32.3	42.1	47.9	49.1	49.1
		64.5	51.1	5.59	26.1	37.7	46.0	50.6	51.1
		67	53.3	5.59	19.5	32.3	42.4	49.5	53.2
		69.5	55.6	5.70	12.6	26.5	37.9	46.8	52.8
		72	58.0	5.70	-	20.3	32.8	43.0	50.7
	2700	62	50.9	5.59	38.6	48.5	50.9	50.9	50.9
		64.5	52.7	5.59	31.2	44.5	51.8	52.7	52.7
		67	54.8	5.59	22.6	38.6	49.5	54.7	54.8
		69.5	57.2	5.70	13.4	31.4	45.0	53.8	57.2
		72	59.4	5.70	-	23.4	39.1	50.5	57.5
DEH072	1380	62	54.2	4.36	27.6	36.5	43.9	49.5	53.2
		64.5	57.0	4.36	22.9	32.3	40.5	47.3	52.6
		67	59.7	4.36	18.2	27.9	36.6	44.2	50.5
		69.5	62.6	4.48	-	23.6	32.6	40.7	47.8
		72	65.4	4.48	-	19.3	28.6	37.0	44.6
	1650	62	56.5	5.54	31.0	41.0	48.8	54.1	56.5
		64.5	58.9	5.54	25.4	36.2	45.2	52.2	57.0
		67	61.6	5.66	19.7	31.1	41.0	49.3	55.7
		69.5	64.5	5.66	14.2	26.0	36.5	45.5	53.1
		72	67.4	5.66	-	20.8	31.8	41.4	49.8
	2350	62	62.9	6.72	39.5	51.8	59.9	62.9	62.9
		64.5	62.9	6.72	31.4	45.2	55.5	61.6	62.9
		67	64.5	6.84	23.3	38.5	50.6	59.3	64.0
		69.5	67.6	6.84	15.3	31.6	45.2	55.9	63.5
		72	70.5	6.84	-	24.4	39.1	51.3	60.8
	2680	62	65.1	7.91	43.1	56.1	63.7	65.1	65.1
		64.5	65.1	7.91	34.2	49.3	59.7	64.9	65.1
		67	65.3	7.91	24.8	41.6	54.3	62.5	65.3
		69.5	68.7	7.91	15.8	34.1	48.9	60.0	66.8
		72	71.6	7.91	-	26.0	42.3	55.4	64.9

YORK STELLAR DEH MICRO SERIES

Ambient 125°F (51.7°C)									
Model	Air Flow Rate	Entering Air WBT	Total Gross Capacity	Comp. Power Input	Gross Sensible Capacity				
					70°F (21.1°C)	75°F (23.9°C)	80°F (26.7°C)	85°F (29.4°C)	90°F (32.2°C)
	cfm	°F	MBh	kW	MBh	MBh	MBh	MBh	MBh
DEH036	900	62	28.5	3.64	16.3	21.5	25.4	27.9	28.5
		64.5	28.5	3.64	13.0	18.7	23.2	26.5	28.3
		67	30.0	3.64	10.0	16.1	21.2	25.3	28.2
		69.5	31.3	3.64	7.0	13.3	18.9	23.5	27.2
		72	32.8	3.64	-	10.5	16.4	21.5	25.7
	1050	62	29.6	3.64	18.1	23.7	27.7	29.6	29.6
		64.5	29.6	3.64	14.3	20.7	25.5	28.6	29.6
		67	30.3	3.64	10.7	17.6	23.2	27.3	29.8
		69.5	31.9	3.64	7.2	14.5	20.7	25.7	29.4
		72	33.4	3.64	-	11.3	18.0	23.6	28.0
	1200	62	30.6	3.64	19.7	25.8	29.5	30.6	30.6
		64.5	30.6	3.64	15.6	22.6	27.5	30.3	30.6
		67	30.7	3.64	11.4	19.0	24.9	28.9	30.7
		69.5	32.3	3.64	7.4	15.6	22.4	27.6	31.0
		72	34.4	3.64	-	12.1	19.6	25.7	30.3
	1500	62	31.9	3.64	22.7	29.1	31.9	31.9	31.9
		64.5	31.9	3.64	18.0	25.9	30.7	31.9	31.9
		67	31.9	3.64	12.9	21.9	28.3	31.6	31.9
		69.5	32.8	3.64	7.7	17.7	25.4	30.5	32.8
		72	34.3	3.64	-	13.3	22.1	28.7	32.9
DEH048	1200	62	35.2	4.90	21.0	27.7	32.5	35.0	35.2
		64.5	36.4	4.90	17.0	24.5	30.3	34.4	36.4
		67	38.5	4.90	13.0	21.1	27.8	33.1	36.7
		69.5	40.3	4.79	9.0	17.4	24.7	30.8	35.6
		72	42.1	4.79	-	13.7	21.5	28.1	33.6
	1400	62	36.7	4.90	23.3	30.5	35.1	36.7	36.7
		64.5	37.2	5.00	18.6	26.8	32.9	36.5	37.2
		67	39.3	4.90	14.0	23.2	30.5	35.8	38.8
		69.5	41.2	4.79	9.3	19.0	27.2	33.7	38.3
		72	42.9	4.79	-	14.7	23.5	30.8	36.6
	1600	62	37.9	5.00	25.4	33.0	37.3	37.9	37.9
		64.5	37.9	5.00	20.1	29.1	35.1	37.9	37.9
		67	39.8	4.90	15.0	25.1	32.8	37.8	39.8
		69.5	41.8	4.79	9.6	20.5	29.5	36.2	40.4
		72	43.5	4.90	-	15.7	25.5	33.3	39.1
	2000	62	40.3	4.79	29.5	37.5	40.3	40.3	40.3
		64.5	40.0	4.90	23.3	33.4	39.1	40.0	40.0
		67	40.8	4.79	16.8	28.6	36.7	40.7	40.8
		69.5	42.7	4.79	10.0	23.4	33.5	40.1	42.7
		72	44.3	4.90	-	17.4	29.0	37.6	42.8

YORK STELLAR DEH MICRO SERIES

Ambient 125°F (51.7°C)									
Model	Air Flow Rate	Entering Air WBT	Total Gross Capacity	Comp. Power Input	Gross Sensible Capacity				
					70°F (21.1°C)	75°F (23.9°C)	80°F (26.7°C)	85°F (29.4°C)	90°F (32.2°C)
	cfm	°F	MBh	kW	MBh	MBh	MBh	MBh	MBh
DEH060	1350	62	42.1	6.27	24.3	32.1	37.9	41.4	42.1
		64.5	44.4	6.27	19.9	28.5	35.5	40.7	43.8
		67	46.5	6.39	15.3	24.5	32.3	38.7	43.3
		69.5	48.5	6.39	10.8	20.3	28.7	35.8	41.6
		72	50.5	6.39	-	16.1	24.9	32.6	39.1
	1700	62	43.5	6.27	28.0	36.6	42.0	43.5	43.5
		64.5	45.7	6.27	22.7	32.8	40.2	44.7	45.7
		67	47.7	6.39	17.0	28.1	37.0	43.4	47.2
		69.5	49.8	6.39	11.3	23.1	33.0	40.8	46.4
		72	51.8	6.39	-	17.8	28.5	37.4	44.3
	2000	62	44.7	6.27	31.0	40.0	44.5	44.7	44.7
		64.5	46.6	6.39	25.0	36.1	43.5	46.6	46.6
		67	48.6	6.39	18.5	31.0	40.5	46.6	48.6
		69.5	50.7	6.39	11.6	25.3	36.3	44.5	49.5
		72	52.7	6.50	-	19.2	31.4	41.0	48.0
	2700	62	46.1	6.39	36.8	45.2	46.1	46.1	46.1
		64.5	48.0	6.39	29.9	42.3	48.0	48.0	48.0
		67	50.0	6.39	21.5	37.0	46.8	50.0	50.0
		69.5	51.9	6.39	12.4	30.1	42.9	50.4	51.9
		72	54.2	6.50	-	22.3	37.5	48.0	53.6
DEH072	1380	62	50.3	5.57	26.7	35.3	42.2	47.2	50.0
		64.5	53.2	5.57	22.1	31.3	39.2	45.6	50.2
		67	55.8	5.71	17.4	27.0	35.6	42.8	48.7
		69.5	58.4	5.71	12.8	22.7	31.6	39.5	46.2
		72	61.2	5.71	-	18.4	27.7	35.9	43.3
	1650	62	53.5	6.38	30.2	39.9	47.3	52.0	53.5
		64.5	55.1	6.51	24.5	35.1	43.8	50.2	54.2
		67	57.5	6.51	18.9	30.1	39.7	47.5	53.3
		69.5	60.2	6.51	13.3	25.0	35.3	44.1	51.2
		72	62.9	6.65	-	19.9	30.7	40.2	48.2
	2350	62	59.3	7.86	38.5	50.2	57.4	59.3	59.3
		64.5	59.3	7.86	30.5	44.0	53.6	58.8	59.3
		67	60.0	7.86	22.3	37.3	48.8	56.6	60.0
		69.5	62.7	7.86	14.3	30.5	43.7	53.7	60.3
		72	65.7	8.00	-	23.4	37.9	49.6	58.4
	2680	62	61.2	9.08	41.9	54.2	60.7	61.2	61.2
		64.5	61.2	9.08	33.2	47.8	57.5	61.2	61.2
		67	61.2	9.08	23.9	40.4	52.5	59.7	61.2
		69.5	63.7	9.08	14.7	32.9	47.2	57.4	63.0
		72	66.5	9.21	-	24.9	40.9	53.4	61.9

FAN PERFORMANCE DATA

DEH036 (with 1/2HP Motor)								
Fan speeds	50		100		150		200	
	Air flow (cfm)	KW	Air flow (cfm)	KW	Air flow (cfm)	KW	Air flow (cfm)	KW
Low	1185	0.187	1124	0.209	1055	0.227	985	0.246
Low/Medium	1311	0.233	1254	0.262	1178	0.275	1101	0.299
Medium	1470	0.312	1408	0.337	1333	0.349	1256	0.360
Medium/High	1626	0.405	1565	0.427	1481	0.432	1398	0.436
High	1697	0.439	1638	0.473	1544	0.468	1450	0.469

DEH048 (with 3/4HP Motor)										
Fan speeds	50		100		150		200		250	
	Air flow (cfm)	KW	Air flow (cfm)	KW	Air flow (cfm)	KW	Air flow (cfm)	KW	Air flow (cfm)	KW
Low	1387	0.266	1281	0.290	1173	0.310	1083	0.332	991	0.352
Low/Medium	1520	0.323	1423	0.351	1327	0.376	1225	0.393	1123	0.410
Medium	1716	0.421	1622	0.449	1527	0.479	1421	0.488	1314	0.505
Medium/High	1860	0.504	1767	0.535	1675	0.569	1569	0.598	1463	0.593
High	2060	0.643	1969	0.677	1877	0.716	1769	0.727	1660	0.730

DEH060 (with 1HP Motor)										
Fan speeds	50		100		150		200		250	
	Air flow (cfm)	KW	Air flow (cfm)	KW	Air flow (cfm)	KW	Air flow (cfm)	KW	Air flow (cfm)	KW
Low	1910	0.240	1784	0.268	1658	0.301	1607	0.357	1555	0.414
Low/Medium	2225	0.339	2105	0.369	1984	0.402	1917	0.454	1850	0.514
Medium	2550	0.563	2436	0.513	2320	0.540	2220	0.578	2120	0.625
Medium/High	2670	0.589	2620	0.665	2544	0.657	2468	0.709	2380	0.759
High	2883	0.678	2762	0.695	2663	0.791	2585	0.781	2540	0.856

DEH072 (with 1HP Motor)										
Fan speeds	50		100		150		200		250	
	Air flow (cfm)	KW	Air flow (cfm)	KW	Air flow (cfm)	KW	Air flow (cfm)	KW	Air flow (cfm)	KW
Low	1796	0.210	1670	0.237	1542	0.270	1397	0.300	1251	0.332
Low/Medium	2094	0.294	1976	0.323	1857	0.359	1715	0.387	1572	0.420
Medium	2380	0.396	2269	0.434	2157	0.465	2020	0.492	1883	0.524
Medium/High	2670	0.469	2593	0.687	2457	0.606	2334	0.634	2212	0.667
High	2883	0.524	2762	0.715	2614	0.698	2498	0.727	2382	0.756

SOUND RATING DATA

Unit Model	Sound Rating dB(A)	Unit Sound Power dB (10 ⁻¹²) Watts							
		Octave Band Centerline Frequency (Hz)							
		63	125	250	500	1000	2000	4000	8000
DEH036	79.5	82	80	80	77	74	70	69	63
DEH048	80.4	83	81	80	77	75	72	70	65
DEH060	81.2	77	75	75	75	75	75	74	69
DEH072	83.4	77	74	75	79	79	76	75	70

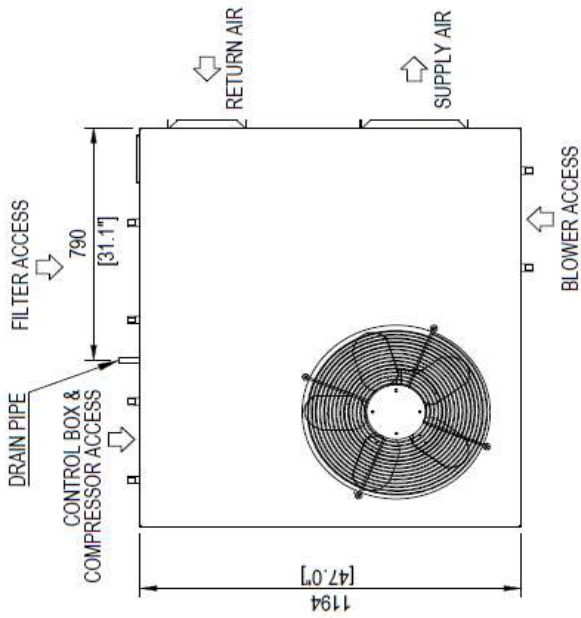
ELECTRICAL DATA

Unit Model	Voltage	Compressor		Qty	Condenser Motor	Qty	Blower Motor	Heater Sizes	Heater Stages	Heater Current	Minimum Circuit Amperes	Maximum Fuse/Breaker Size
		RLA Each	LRA Each		FLA Each		STD	kW	#	Amperes	STD Amps	STD Amps
		DEH036	230/1/60	18.6	79	1	1.6	1	4.3	-	-	-
DEH048	230/1/60	18.6	79	1	1.6	1	4.3	5kW	1	21.74	33	50
		24.3	117	1	1.6	1	6.1	-	-	-	38	60
DEH060	230/1/60	24.3	117	1	1.6	1	6.1	5kW	1	21.74	38	60
		29.3	134	1	5.1	1	6.5	-	-	-	48	75
DEH072	230/1/60	29.3	134	1	5.1	1	6.5	5kW	1	21.74	48	75
		34.3	178	1	5.1	1	6.5	-	-	-	55	85
		34.3	178	1	5.1	1	6.5	5kW	1	21.74	55	85
		34.3	178	1	5.1	1	6.5	9kW	1	40	58	95

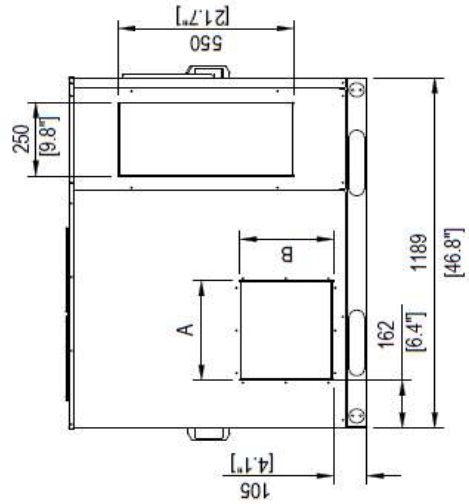
DIMENSIONAL DATA (DEH 036-048)

CLEARANCES		
	inches	mm
FRONT (SUPPLY AIR)	-	-
BACK (CONDENSER COIL)	34	846
LEFT (BLOWER FAN ACCESS)	32	813
RIGHT (COMPRESSOR ACCESS)	32	813
ABOVE (CONDENSER AIR DISCHARGE)	50	1270

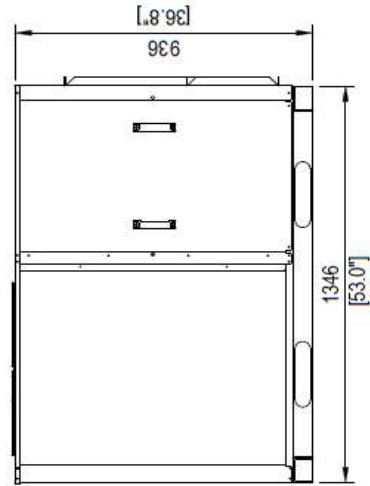
SUPPLY AIR OPENING		
MODEL	A (mm)	B (mm)
DEH 036	338	294
DEH 048	272	294



TOP VIEW



FRONT VIEW

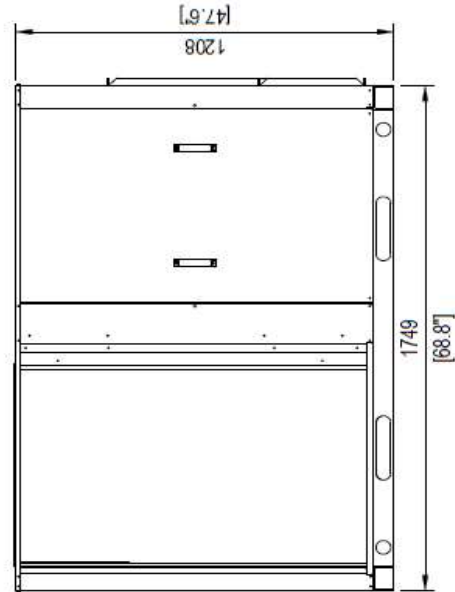
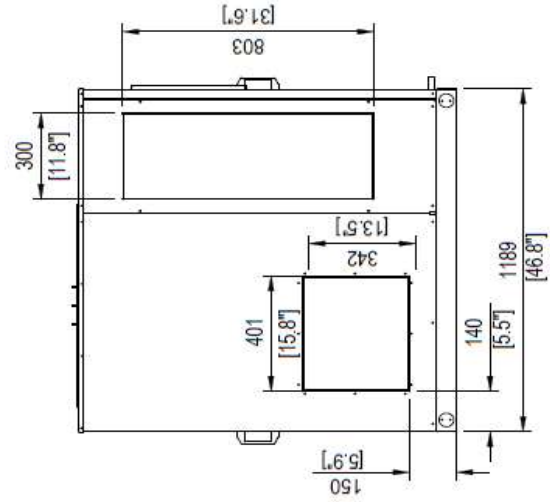
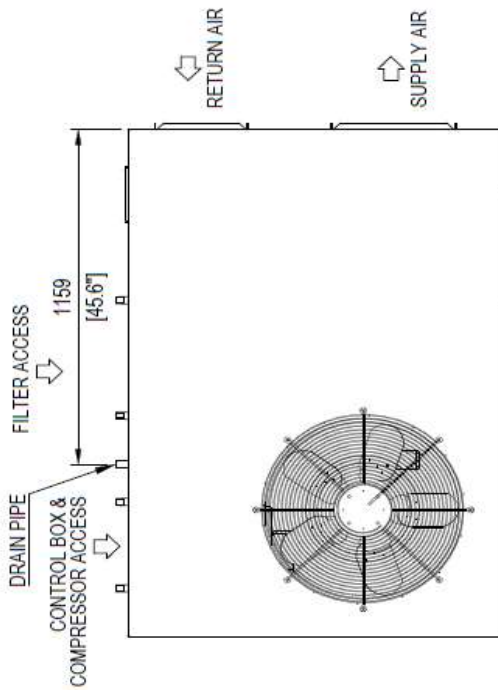


SIDE VIEW

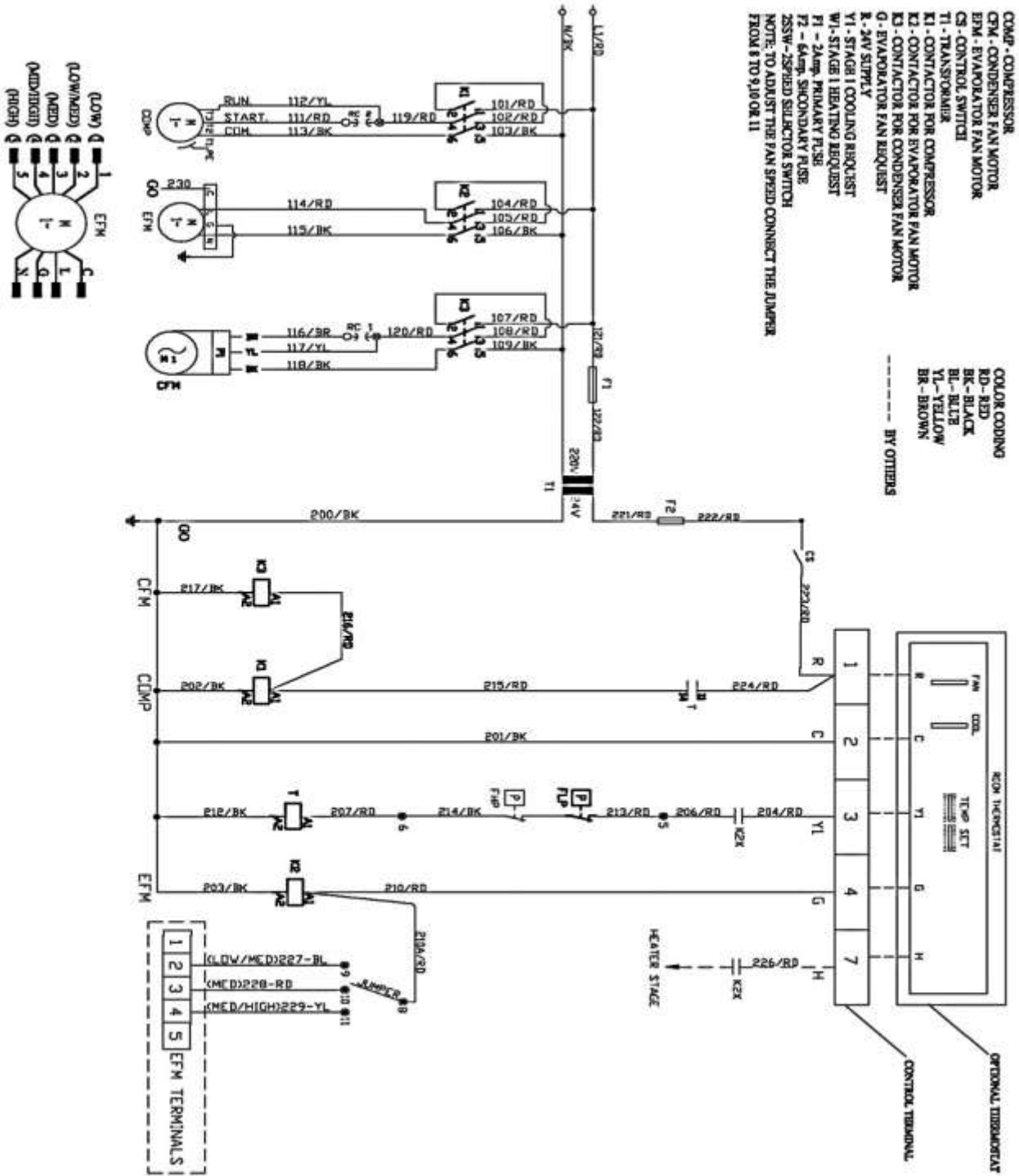
DEH 036-048

DIMENSIONAL DATA (DEH 060-072)

CLEARANCES		
	inches	mm
FRONT (SUPPLY AIR)	-	-
BACK (CONDENSER COIL)	34	846
LEFT (BLOWER FAN ACCESS)	32	813
RIGHT (COMPRESSOR ACCESS)	32	813
ABOVE (CONDENSER AIR DISCHARGE)	50	1270



TYPICAL WIRING DIAGRAM



GUIDE SPECIFICATION

DESCRIPTION

Standard Units shall be factory assembled, single packaged, cool only, and designed for outdoor mounted installation. They shall have built-in side duct connections for discharge supply and return. The units shall be factory wired, piped, charged with R-410a refrigerant and factory tested prior to shipment. All unit wiring shall be both numbered and colour coded.

UNIT CABINET AND FRAME

Unit cabinet shall be constructed of G90 galvanized steel, with exterior surfaces coated with a non-chalking powdered paint finish, to meet ASTM B117 standard suitable for 750 hours salt spray test. The indoor blower and air supply section shall be insulated with 13mm Elastomeric insulation. Cabinet panels shall be easily removable for servicing and maintenance. Full perimeter base rails shall be provided to assure reliable transit of equipment, overhead rigging and fork lifting. Disposable 2" filters shall be furnished and be accessible through a removable access door, sealed airtight. Condensate connection shall be minimum of 1.0" FPT connection.

INDOOR (EVAPORATOR) FAN ASSEMBLY

Fan shall be a direct drive assembly. Fan wheel shall be DIDW type with forward curved High static blades, dynamically balanced to operate smoothly throughout the entire range of operation. Airflow design shall be constant air volume. Bearings shall be lubricated for life. The evaporator motor shall be TEAO class B insulation. Five steps speed torque EMC motor that maintain three levels of air flow rates at different external static pressure.

OUTDOOR (CONDENSER) FAN ASSEMBLY

Each unit shall have single condenser fans / motors. The outdoor fans shall be of direct driven propeller type, discharge air vertically and shall be dynamically balanced for smooth operation. The outdoor fan motors shall be TEAO with class B insulation. Motors shall have permanently lubricated bearings and shall have external overload protection.

REFRIGERANT COMPONENTS

Compressors

a. All compressors shall be internally protected with internal high pressure relief and over temperature protection. The compressors shall be mounted on neoprene mounts to eliminate vibration from being transmitted to the unit structure and cabinet.

Coils

- a. Evaporator and microchannel coils shall have aluminum fins mechanically bonded to seamless internally enhanced copper tubes and aluminum tubes with all joints brazed. 2 pass microchannel Condenser fin spacing shall be limited to 23 fpi for all models to maximize heat transfer to minimize blockage and high pressure operating condition, special E-coating shall be available as factory options.

- b. Evaporator and Condenser coils shall be of the direct expansion, draw-thru, design. Coils shall be tested to a minimum pressure of 445/236 psig High/Low.

Refrigerant Circuit and Refrigerant Safety components shall include

- a. Thermo static expansion valve with external equalizing line.
- b. Filter drier to eliminate any moisture or foreign matter.
- c. Accessible service gauge connections on both suction and discharge lines to charge, evacuate, and measure refrigerant pressure during any necessary servicing or troubleshooting, without losing charge.
- d. The refrigeration system shall provide at least 10°F of sub-cooling at design conditions.
- e. All models shall have single independent refrigerant circuits.
- f. Unit shall operate with conventional thermostat designs and have a low voltage terminal strip for easy hookup.

ELECTRIC HEATING – OPTIONAL

Nickel chromium electric heating elements shall be provided as required by the application with single stage control for 5kW capacities. The heating section shall have a primary limit control(s) and automatic reset to prevent the heating element system from operating at an excessive temperature. Units with Electric Heating shall be wired for a single point power supply.

UNIT OPERATING CHARACTERISTICS

Unit shall be capable of starting and running at 131°F outdoor temperature. The compressor, with standard controls, shall be capable of operation down to 50°F outdoor temperature.

ELECTRICAL REQUIREMENTS

All unit power wiring shall enter unit cabinet at a single factory provided gland be capable of side entry.

REFRIGERANT R-410a

R-410a refrigerant is highly efficient heat transfer capability and environment friendly having zero Ozone Depletion Potential (ODP). This product is coming with holding refrigerant charge from the factory. Refrigerant charge must be checked before startup to assure design performance.

MAINTENANCE

The DEH Stellar Packaged Air Conditioners are premium quality machines with very low maintenance requirements. Compressors used in Packaged Units are charged with the correct amount of refrigerant and lubricating oil. Unless there is a leak in the system, no topping up is generally required.

EVERY MONTH

- Remove the filters and blow compressed air over them to get rid of loose dust. Visually inspect the filter conditions, replace them with new ones of same sizes if required.
- DEH Packaged Air Conditioners are provided with a specially designed drain pan, for proper maintenance check and clean blockages at drain connections if any.

EVERY THREE MONTHS

- In addition to the monthly maintenance above, check the motor and fan vibration.

EVERY SIX MONTHS

In addition to the maintenance done every three months :

- The condenser coils should be cleaned by spraying water over it at low pressure or with a brush while ensuring that the fins are not damaged.
- Check all electrical connections and tighten them if required.
- Clean all accessible electrical panels of dirt and dust. Before cleaning the control panels , ENSURE that the electrical power to the unit is switched off.

EVERY TWELVE MONTHS

In addition to the maintenance done every six months :

- Use a proper cleaning cloth to clean fan blades and motors.
- Ensure that the unit is working properly by checking, current, voltages, pressures and temperatures.
- Check the earthing or grounding of the unit.
- Check the exterior of the unit for any signs of corrosion. Even though it is highly unlikely, if any corrosion that is seen, should be removed by proper sanding the surface. Repaint the unit with proper touch up paint, available from YORK®.
- Check the unit for any unusual vibrations or noise, locate the cause and rectify it by changing mounts, base.

Johnson Controls provides comfortable environments wherever you Live, Work or Travel

Whether you're at home, in a car, or in an office or workplace, chances are there's a Johnson Controls product or service nearby, helping to make your environment more comfortable, safe and sustainable.

Johnson Controls creates smart environments that improve the places where people spend most of their time – their homes, workplaces and vehicles. We anticipate consumer needs, and then integrate technologies, products and services to make life better and easier.

For Johnson Controls, sustain ability matters at every level and through our products, service operations and community involvement, we promote the efficient use of resources to benefit all people and the world. Our triple bottom line of sustain ability that is, economic prosperity, environmental stewardship and social responsibility impacts each and every aspect of our business. York products are now a premier brand manufactured by Johnson Controls. The acquisition of York, gives us a unique insight into designing HVAC products that match your exact requirements. We provide solutions for today's most critical concerns - energy efficiency, refrigerant alternatives and indoor air quality.

Johnson Controls has a wide range of York products for residential, light commercial and commercial applications. Our offering includes package & split air conditioners and heat pumps. In addition, Johnson Controls offers chillers, air handling units, ventilation equipment and controls for larger projects.

Our advanced technology is leading the way in developing efficient and environment friendly solutions for your homes, offices and places of leisure.

Let us create the ideal environment for you

Technical Sales Guide # TEH-36-72-0921

We reserve the right to change in part or in whole the specifications without prior notice.

Al Salem Johnson Controls (Head Office)
P.O. Box 15019 Jeddah 21444
Kingdom of Saudi Arabia
Tel.: +966 12 690 0999
Fax: +966 12 690 0909

